

**Features**

- 1 Fluorescent light fixture with interior sealed glass offering a safe and bright working area (100 foot candles)
- 2 SEFA-8 Superior chemically resistant paint finish
- 3 Large louvered by-pass area for optimal air balancing
- 4 32" high front opening creating superior interior viewing
- 5 Generous 26 1/2" interior working depth while maintaining a 32 3/4" exterior overall dimension
- 6 Optional pre-plumbed service fixtures using approved flexible materials
- 7 Interior lining components are available in non-metallic or stainless steel finishes
- 8 Aerodynamic sash opening designed for minimal air turbulence
- 9 Self supporting steel structure adding strength and flexibility
- 10 All electrical components are CSA/UL approved and prewired for final single point connection
- 11 Optional audible and visible low velocity alarm
- 12 All electrical and plumbing components are safely located outside of the hood chamber
- 13 Laminated safety glass sash
- 14 Listed by Intertek to UL 1805 standard
- 15 Interior access panels are easily removable and replaceable without the used of special tools
- 16 Convenient pre-punched interior & exterior service holes for plumbing additions
- 17 Factory set interior baffles
- 18 Stainless steel air foil designed with electrical cord access

## Secure Containment

Laboratory personnel safety is the primary performance criteria of a fume hood. Vanguard's Critical Airflow Path (CAP) design includes a high containment baffle configuration that controls and increases the air velocity within the hood to create a constant laminar flow at the face opening.

To confirm our own research we had our hoods tested by SIEMENS, a recognized independent testing company, using the ASHRAE 110-1995 AM protocol. Face velocities of 100 FPM and 60 FPM were used and in both cases performance results far exceeded industry standards.

### Superior containment even at lower face velocities\*

Industry Standard
ANSI/AIHA Z9.5-2003
.05 ppm

Example: VBA-48 with full sash open	
Vanguard at 100 fpm	Vanguard at 60 fpm
0.001 ppm	0.003 ppm

\* Results taken from Siemens test reports

### Superior face velocity uniformity\*

Industry Standard
ANSI/AIHA Z9.5-2003
+20%
-20%

Example: VBA-48 with full sash open	
Vanguard at 100 fpm	Vanguard at 60 fpm
+7.1%	+8.6%
-5.1%	-6.4%

\* Results taken from Siemens test reports

### Vanguard hoods meet or exceed the following industry standards:

- ▶ **SEFA 1-2010** Laboratory Fume Hoods Recommended Practices
- ▶ **ANSI/AIHA Z9.5-2012** An American National Standard for Laboratory Ventilation
- ▶ **MD 15128-2013** Laboratory Fume Hoods
- ▶ **CSA Standard C22.2 No. 1010.1-92 & CSA-US**
- ▶ **NFPA 45-2001** Standard on Fire Protection for Laboratories using Chemicals
- ▶ **OSHA 1010.1450 - 2011** Occupational Exposure to Hazardous Chemicals in Laboratories
- ▶ **Prudent Practices in the Laboratory: Handling and Disposal of Chemicals (2011)** National Research Council
- ▶ **Industrial Ventilation (27th Edition)**
- ▶ **UL 1805 - 2002** Standard for Laboratory Hoods and Casework

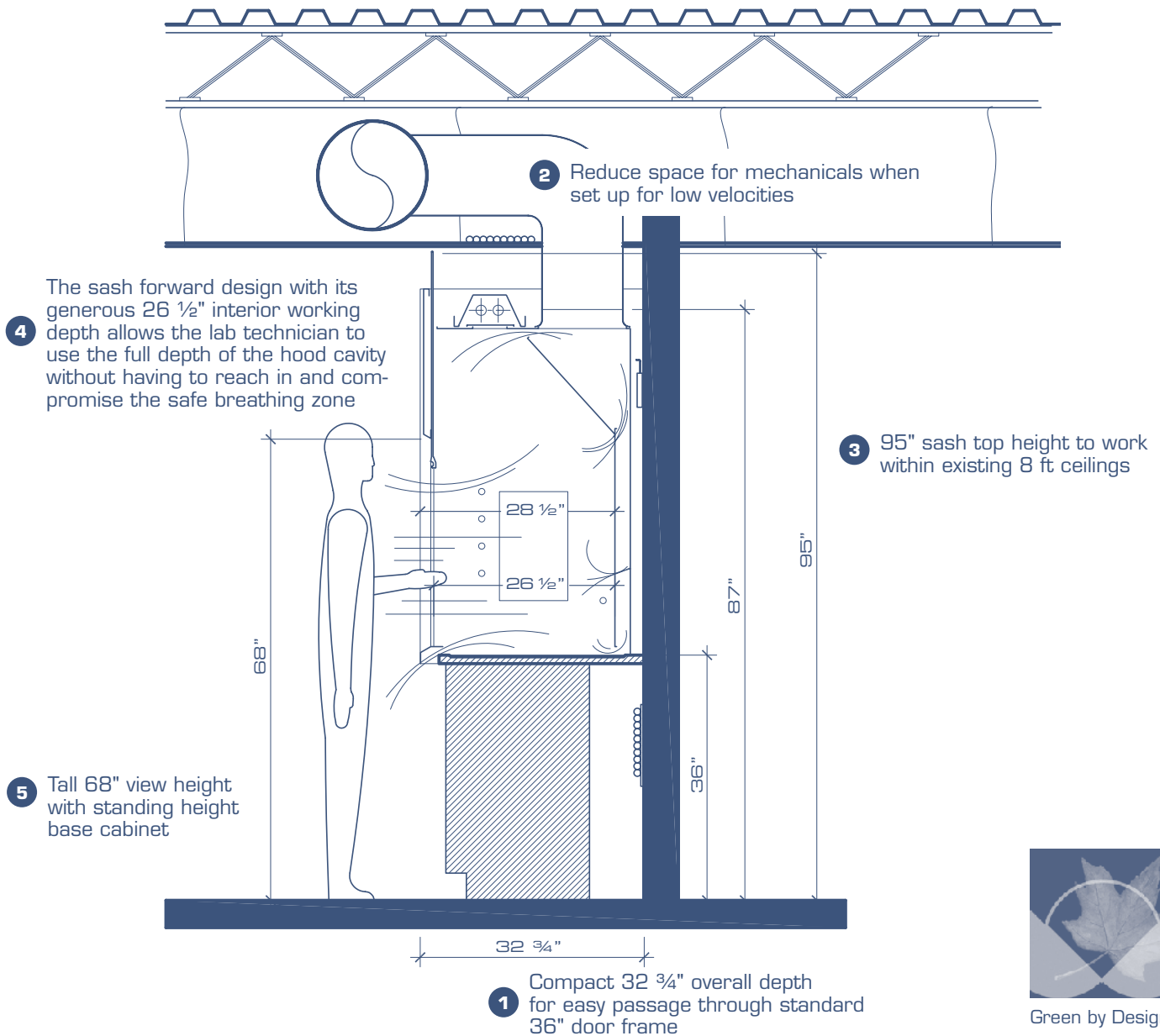


# Low Velocity Capability

In appropriate laboratory environments, low velocity fume hoods are an effective tool for designers and facilities managers who want to build green and maximize economic and environmental performance. Their low exhaust volume can considerably reduce a laboratory's energy consumption. In addition to reduced operating costs, a low velocity hood set-up can also significantly reduce HVAC infrastructure costs.

The performance of a fume hood is measured by its ability to move air cleanly through the hood and away from the user. We focused on the critical airflow paths to provide optimal containment and then further improved the design to maintain high performance at reduced face velocities.

The Vanguard was designed using advanced 3-D engineering software. The computer models helped us shape the airflow within the parameters of conventional laboratory use, and the subsequent months of fine-tuning allowed us to effectively maintain superior containment with face velocities down to 60 FPM. Numerous minute adjustments were tested in our in house testing facility to further eliminate turbulence and dead air pockets. The result is true high performance by design. With the Vanguard there is no need to work with restrictive sash openings to reduce the amount of exhausted air, its performance numbers are achieved with a full open sash.



Green by Design

### Vanguard laboratory fume hoods, through high performance by design

- ▶ Low velocity capability on all models.
- ▶ 18 gauge painted steel exterior paneling.
- ▶ Galvanized steel structural frame holding the outside paneling and interior lining.
- ▶ Sash forward design that permits an ergonomic access to the work surface and extra inside depth.
- ▶ ¼" safety laminated glass used for various sashes and lamp protection shield.
- ▶ Aerodynamic Type 316 stainless steel air foil with electrical cord access.
- ▶ Rounded bell shaped Type 316 stainless steel duct stubs.
- ▶ Easily removable factory pre-set baffles installed with non metallic supports.
- ▶ Sash counter weight system using two 3/32" – 920 lbs breaking strength stainless steel cables and ball bearing pulleys with a full width balanced weight.
- ▶ Fluorescent lamp with switch creating a 100 foot candles inside hood.
- ▶ Two post mounted 120V/20A duplex outlets.
- ▶ All electrical components pre-wired to a junction box located on top of the hood.
- ▶ Pre-punched holes in lining and on front posts to receive optional plumbing services up to 5 per side.
- ▶ Easy access to plumbing services using outside removable side panels and/or interior leak free panels.
- ▶ Generous 26 ½" interior working depth on standard 32 ¾" outside fume hood depth.
- ▶ Listed by Intertek to UL 1805 and CSA standards.

**Vanguard meets or exceeds SEFA (Scientific Equipment & Furniture Association) requirements**



**Manufactured under our ISO 9001 Quality Program**



**High value sustainable designs to meet environmental challenges of the laboratory industry**



Exterior mounted fluorescent lamp with safety glass shield (Bedcolab Standard)

Type 316 Stainless steel round duct stub (see pages 6 and 7 for Bedcolab Standard specific duct collar quantities and sizes)

Top mounted electrical junction box for all electrical components (Bedcolab standard)

Optional Duplex receptacle for Velocity Alarm

Light switch (Bedcolab Standard)

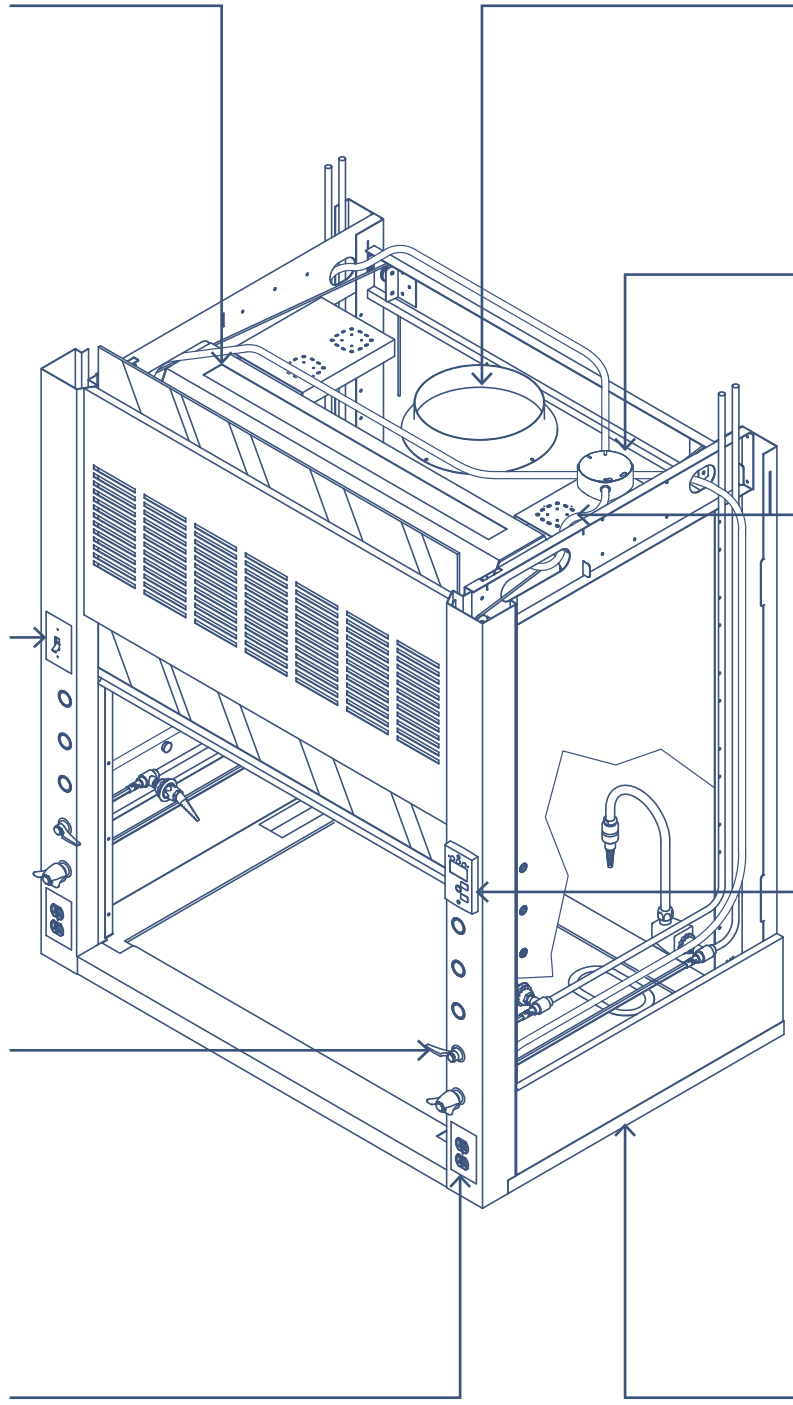
Optional Velocity Alarm or Motor switch or VAV Monitors

Optional plumbing fixtures with remote controlled valves pre-piped to top of Hood (Bedcolab standard)

Pre-piped to bottom is optional

Two 120V/20A duplex outlets on front posts (Bedcolab standard)

Black dished epoxy resin counter top (Bedcolab standard)



# Typical Vanguard Bench Mounted Top Views

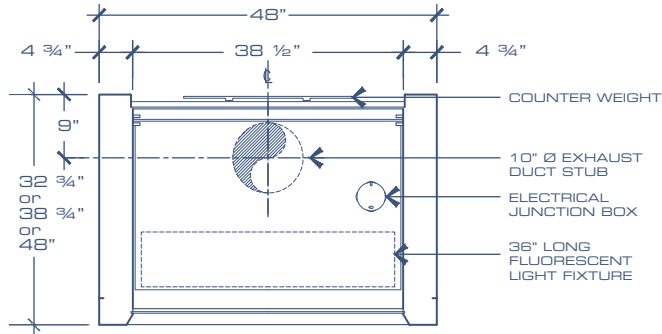
Dimensions apply to all Vanguard bench mounted fume hoods and floor mounted fume hoods with vertical sash (not applicable to pass-through bench mounted fume hoods - see page 28 for details)

Listed by Intertek to UL 1805 standard

VANGUARD FUME HOODS

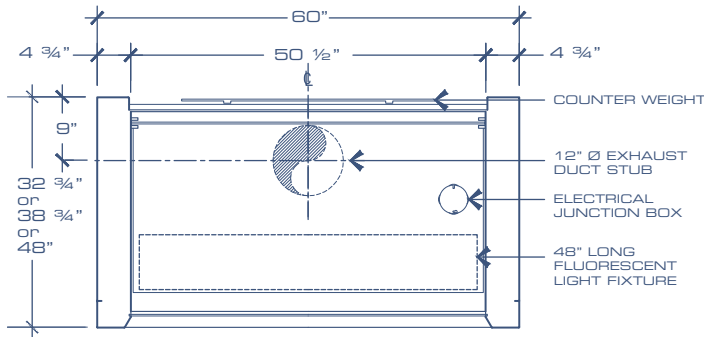
page 6

V18



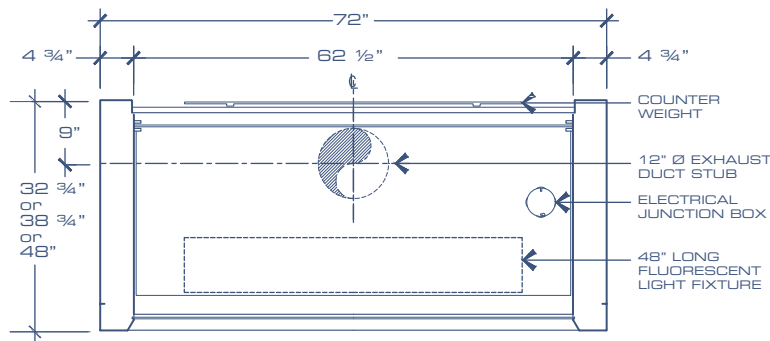
Dimensions apply to all 48" Fume Hoods  
Model number • 5 First digits

C10-48	V10-48	C11-48	V11-48
C12-48	V12-48	C13-48	V13-48
C14-48	V-14-48	C15-48	V16-48
C20-48	V20-48	C30-48	C40-48
V40-48	C50-48	C70-48	



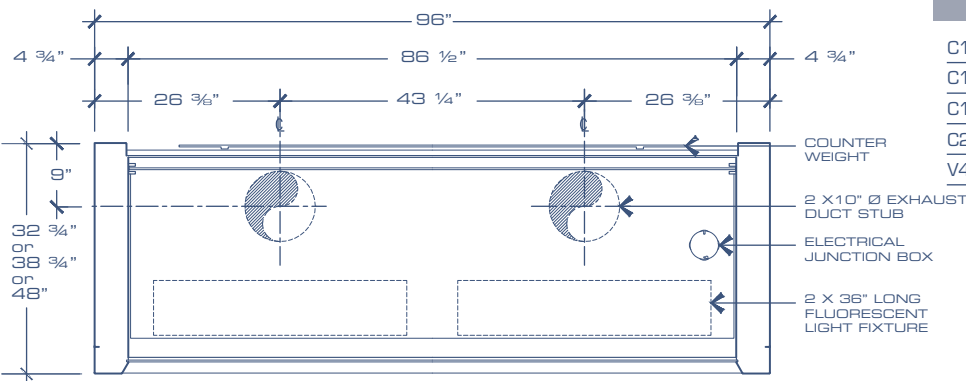
Dimensions apply to all 60" Fume Hoods  
Model number • 5 First digits

C10-60	V10-60	C11-60	V11-60
C12-60	V12-60	C13-60	V13-60
C14-60	V-14-60	C15-60	V16-60
C20-60	V20-60	C30-60	C40-60
V40-60	C50-60	C70-60	



Dimensions apply to all 72" Fume Hoods  
Model number • 5 First digits

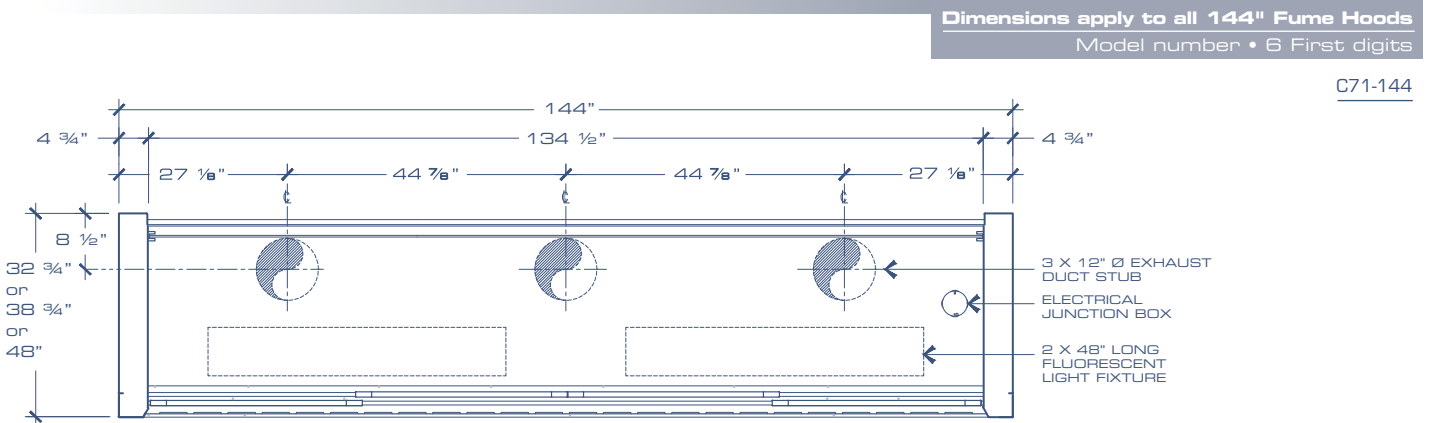
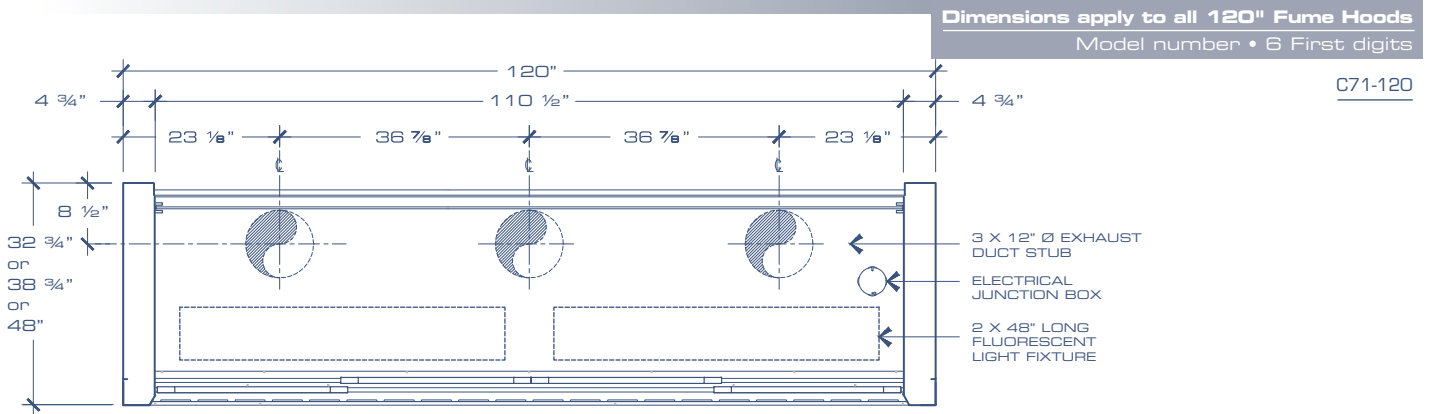
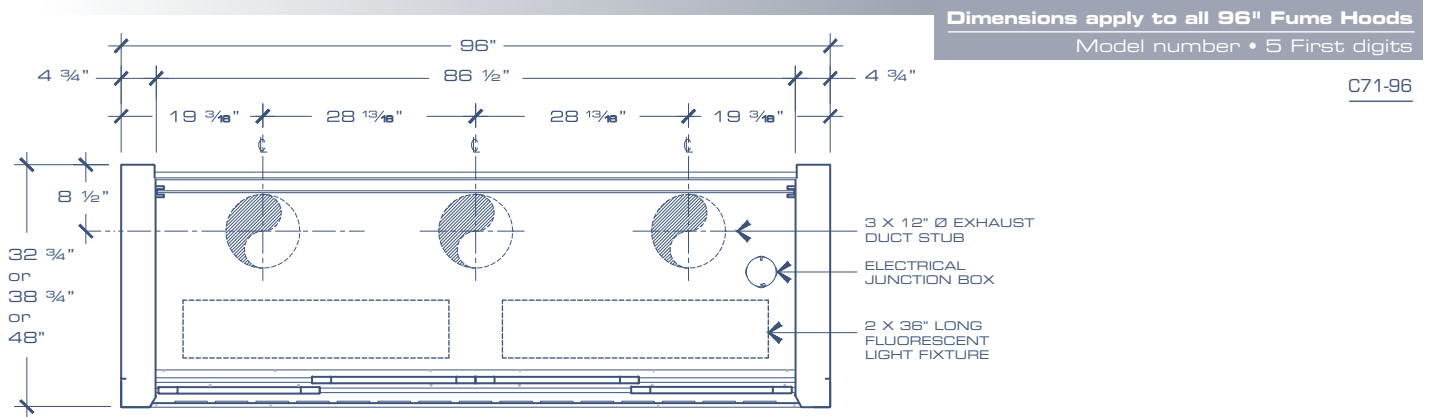
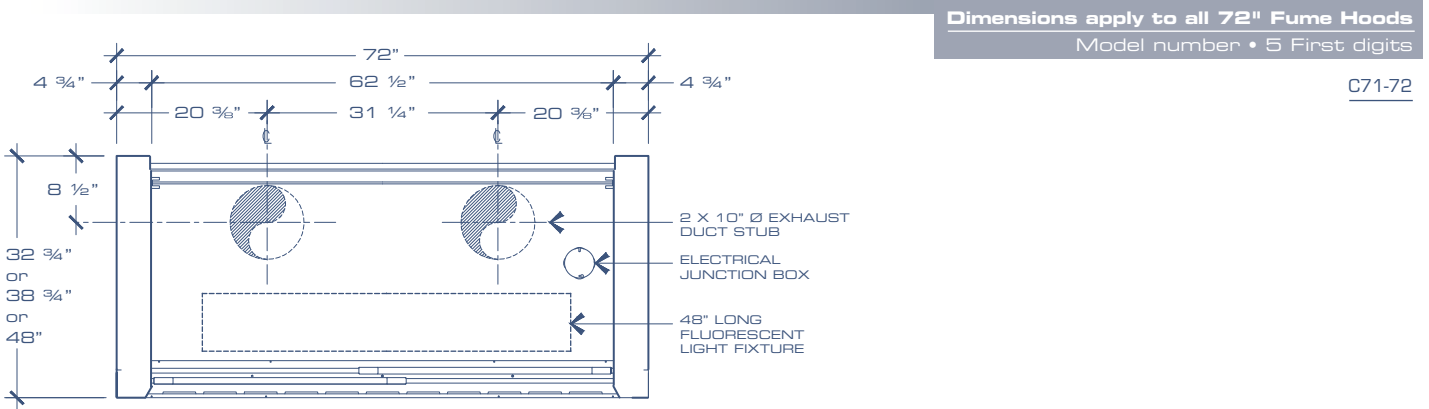
C10-72	V10-72	C11-72	V11-72
C12-72	V12-72	C13-72	V13-72
C14-72	V-14-72	C15-72	V16-72
C20-72	V20-72	C30-72	C40-72
V40-72	C50-72	C70-72	



Dimensions apply to all 96" Fume Hoods  
Model number • 5 First digits

C10-96	V10-96	C11-96	V11-96
C12-96	V12-96	C13-96	V13-96
C14-96	V-14-96	C15-96	V16-96
C20-96	V20-96	C30-96	C40-96
V40-96	C50-96	C70-96	

Dimensions apply to standard Vanguard floor mounted fume hoods with Horizontal sash





## Constant Air Volume or Variable Air Volume models no.

### Standard Features

- ▶ Vertical rising sash with black PVC handle.
- ▶ Generous 26.5" interior dept with standard 32.75" O.D (32.5" ID with 38.75" OD hood).
- ▶ Tall front opening view height of 68" with standard 36" base cabinet.
- ▶ Aerodynamic T.316 Stainless steel air foil with electrical cord access.
- ▶ Removable factory set interior baffles.
- ▶ Fluorescent light, light switch and 2 duplex 120V - 20A with internal wiring on 1 circuit.
- ▶ Front corner posts & interior side panels pre-punched to accept up to 10 plumbing fixtures.
- ▶ Removable and easy replaceable interior access panel on each side wall for plumbing access.
- ▶ Removable exterior side panels.
- ▶ Upper and lower bypasses with interior adjustable top front panel. For VAV models only.
- ▶ Cable and pully sash system.
- ▶ Stainless steel 316 round exhaust collar.
- ▶ White polyester FRP lining 3/16" thickness.

### CONSTANT AIR VOLUME CAV - VERTICAL SASH - 32.75" OD DEEP (STANDARD DEFAULT)

WIDTH	FRP (standard)	SS304 PANELS	SS316 PANELS	SS304 SEAMLESS	SS316 SEAMLESS	WHITE HDPE
48"	C10-48A-100	C10-48A-200	C10-48A-250	C10-48A-300	C10-48A-350	C10-48A-400
60"	C10-60A-100	C10-60A-200	C10-60A-250	C10-60A-300	C10-60A-350	C10-60A-400
72"	C10-72A-100	C10-72A-200	C10-72A-250	C10-72A-300	C10-72A-350	C10-72A-400
96"	C10-96A-100	C10-96A-200	C10-96A-250	C10-96A-300	C10-96A-350	C10-96A-400

### CONSTANT AIR VOLUME CAV - VERTICAL SASH - 38.75" OD DEEP (OPTIONAL)

WIDTH	FRP	SS304 PANELS	SS316 PANELS	SS304 SEAMLESS	SS316 SEAMLESS	WHITE HDPE
48"	C10-48B-100	C10-48B-200	C10-48B-250	C10-48B-300	C10-48B-350	C10-48B-400
60"	C10-60B-100	C10-60B-200	C10-60B-250	C10-60B-300	C10-60B-350	C10-60B-400
72"	C10-72B-100	C10-72B-200	C10-72B-250	C10-72B-300	C10-72B-350	C10-72B-400
96"	C10-96B-100	C10-96B-200	C10-96B-250	C10-96B-300	C10-96B-350	C10-96B-400

### VARIABLE AIR VOLUME VAV - VERTICAL SASH - 32.75" OD DEEP (STANDARD DEFAULT)

WIDTH	FRP (standard)	SS304 PANELS	SS316 PANELS	SS304 SEAMLESS	SS316 SEAMLESS	WHITE HDPE
48"	V10-48A-100	V10-48A-200	V10-48A-250	V10-48A-300	V10-48A-350	V10-48A-400
60"	V10-60A-100	V10-60A-200	V10-60A-250	V10-60A-300	V10-60A-350	V10-60A-400
72"	V10-72A-100	V10-72A-200	V10-72A-250	V10-72A-300	V10-72A-350	V10-72A-400
96"	V10-96A-100	V10-96A-200	V10-96A-250	V10-96A-300	V10-96A-350	V10-96A-400

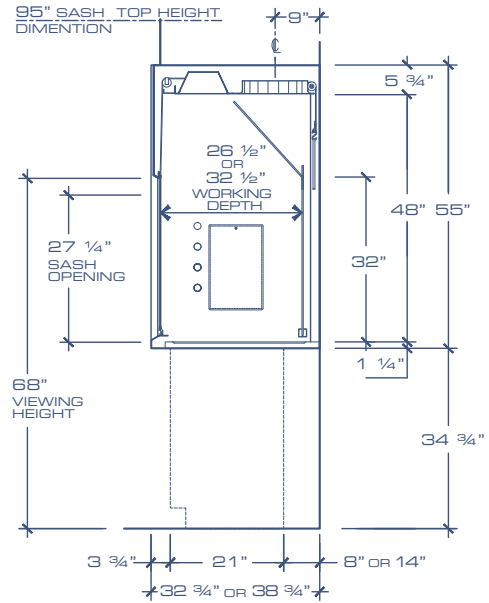
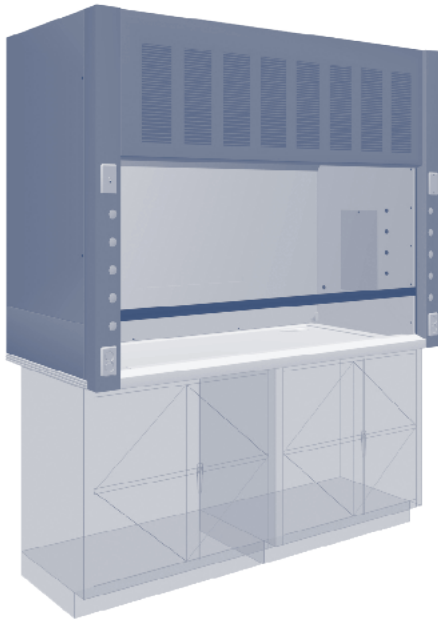
### VARIABLE AIR VOLUME VAV - VERTICAL SASH - 38.75" OD DEEP (OPTIONAL)

WIDTH	FRP	SS304 PANELS	SS316 PANELS	SS304 SEAMLESS	SS316 SEAMLESS	WHITE HDPE
48"	V10-48B-100	V10-48B-200	V10-48B-250	V10-48B-300	V10-48B-350	V10-48B-400
60"	V10-60B-100	V10-60B-200	V10-60B-250	V10-60B-300	V10-60B-350	V10-60B-400
72"	V10-72B-100	V10-72B-200	V10-72B-250	V10-72B-300	V10-72B-350	V10-72B-400
96"	V10-96B-100	V10-96B-200	V10-96B-250	V10-96B-300	V10-96B-350	V10-96B-400



## Technical Information

Fume hood Dimensions	Exterior Dimensions			Sash Opening	Interior Dimensions			Viewing Dimensions
	Width	Depth	Height		Width	Depth	Height	
48" type	48"	32.75" or 38.75"	55"	38.5" x 27.25"	38.5"	26.5" or 32.5"	48"	38.5" x 32"
60" type	60"	32.75" or 38.75"	55"	50.5" x 27.25"	50.5"	26.5" or 32.5"	48"	50.5" x 32"
72" type	72"	32.75" or 38.75"	55"	62.5" x 27.25"	62.5"	26.5" or 32.5"	48"	62.5" x 32"
96" type	96"	32.75" or 38.75"	55"	86.5" x 27.25"	86.5"	26.5" or 32.5"	48"	86.5" x 32"



Exhaust data with 27.25" full open sash											
			100 feet/minute velocity			80 feet/minute velocity			60 feet/minute velocity		
Hood width	Face Opening	Duct collar size diameter	Exhaust CFM	Duct collar FPM	Static pressure loss	Exhaust CFM	Duct collar FPM	Static pressure loss	Exhaust CFM	Duct collar FPM	Static pressure loss
48"	38.5" x 27.25"	1x 10"	728	1334	0.18"	583	1069	0.12"	437	801	0.065"
60"	50.5" x 27.25"	1x 12"	955	1215	0.25"	765	973	0.17"	573	730	0.09"
72"	62.5" x 27.25"	1x 12"	1183	1506	0.30"	946	1205	0.22"	710	904	0.15"
96"	86.5" x 27.25"	2x 10"	1636	1499	0.20"	1310	1200	0.14"	982	900	0.08"

Exhaust data with 18" open sash											
			100 feet/minute velocity			80 feet/minute velocity			60 feet/minute velocity		
Hood width	Face Opening	Duct collar size diameter	Exhaust CFM	Duct collar FPM	Static pressure loss	Exhaust CFM	Duct collar FPM	Static pressure loss	Exhaust CFM	Duct collar FPM	Static pressure loss
48"	38.5" x 18"	1x 10"	481	882	0.12"	385	706	0.08"	289	530	0.05"
60"	50.5" x 18"	1x 12"	631	803	0.18"	505	643	0.12"	379	298	0.06"
72"	62.5" x 18"	1x 12"	781	994	0.21"	625	795	0.15"	469	597	0.11"
96"	86.5" x 18"	2x 10"	1081	992	0.14"	865	794	0.10"	649	595	0.06"

It is recommended to add a 3 % safety leak factor to all above exhaust calculated volumes in order to compensate normal site system air leakage.

**Constant Air Volume or Variable Air Volume models no.**
**Standard Features**

- ▶ Combination sash with painted steel handle.
- ▶ Generous 26.5" interior dept with standard 32.75" O.D (32.5" ID with 38.75" OD hood).
- ▶ Tall front opening view height of 68" with standard 36" base cabinet.
- ▶ Aerodynamic T.316 Stainless steel air foil with electrical cord access.
- ▶ Factory set interior baffles removable.
- ▶ Fluorescent light, light switch and 2 duplex 120V - 20A with internal wiring on 1 circuit.
- ▶ Front corner posts & interior side panels pre-punched to accept up to 10 plumbing fixtures.
- ▶ Removable and easy replaceable interior access panel in each side walls for plumbing access.
- ▶ Removable exterior side panels.
- ▶ Upper and lower bypasses with interior adjustable top front panel. For VAV models only.
- ▶ Cable and pully sash system.
- ▶ Stainless steel 316 round exhaust collar.
- ▶ White polyester FRP lining 3/16" thickness.

**CONSTANT AIR VOLUME CAV - COMBINATION SASH - 32.75" OD DEEP (STANDARD DEFAULT)**

WIDTH	FRP (standard)	SS304 PANELS	SS316 PANELS	SS304 SEAMLESS	SS316 SEAMLESS	WHITE HDPE
48"	C11-48A-100	C11-48A-200	C11-48A-250	C11-48A-300	C11-48A-350	C11-48A-400
60"	C11-60A-100	C11-60A-200	C11-60A-250	C11-60A-300	C11-60A-350	C11-60A-400
72"	C11-72A-100	C11-72A-200	C11-72A-250	C11-72A-300	C11-72A-350	C11-72A-400
96"	C11-96A-100	C11-96A-200	C11-96A-250	C11-96A-300	C11-96A-350	C11-96A-400

**CONSTANT AIR VOLUME CAV - COMBINATION SASH - 38.75" OD DEEP (OPTIONAL)**

WIDTH	FRP	SS304 PANELS	SS316 PANELS	SS304 SEAMLESS	SS316 SEAMLESS	WHITE HDPE
48"	C11-48B-100	C11-48B-200	C11-48B-250	C11-48B-300	C11-48B-350	C11-48B-400
60"	C11-60B-100	C11-60B-200	C11-60B-250	C11-60B-300	C11-60B-350	C11-60B-400
72"	C11-72B-100	C11-72B-200	C11-72B-250	C11-72B-300	C11-72B-350	C11-72B-400
96"	C11-96B-100	C11-96B-200	C11-96B-250	C11-96B-300	C11-96B-350	C11-96B-400

**VARIABLE AIR VOLUME VAV - COMBINATION SASH - 32.75" OD DEEP (STANDARD DEFAULT)**

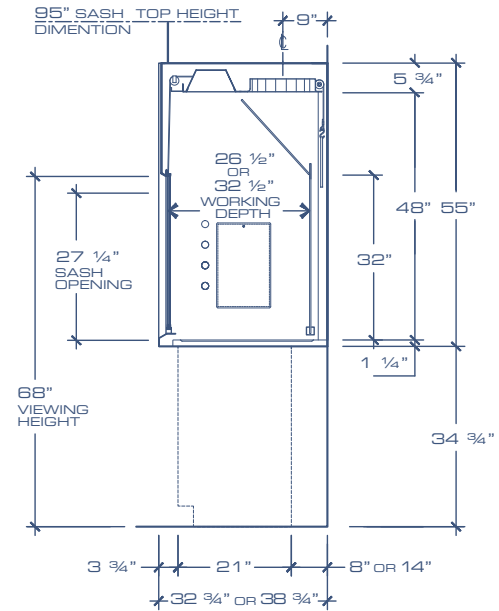
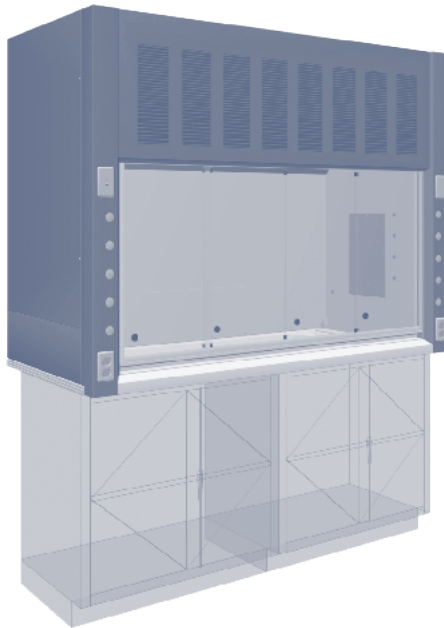
WIDTH	FRP (standard)	SS304 PANELS	SS316 PANELS	SS304 SEAMLESS	SS316 SEAMLESS	WHITE HDPE
48"	V11-48A-100	V11-48A-200	V11-48A-250	V11-48A-300	V11-48A-350	V11-48A-400
60"	V11-60A-100	V11-60A-200	V11-60A-250	V11-60A-300	V11-60A-350	V11-60A-400
72"	V11-72A-100	V11-72A-200	V11-72A-250	V11-72A-300	V11-72A-350	V11-72A-400
96"	V11-96A-100	V11-96A-200	V11-96A-250	V11-96A-300	V11-96A-350	V11-96A-400

**VARIABLE AIR VOLUME VAV - COMBINATION SASH - 38.75" OD DEEP (OPTIONAL)**

WIDTH	FRP	SS304 PANELS	SS316 PANELS	SS304 SEAMLESS	SS316 SEAMLESS	WHITE HDPE
48"	V11-48B-100	V11-48B-200	V11-48B-250	V11-48B-300	V11-48B-350	V11-48B-400
60"	V11-60B-100	V11-60B-200	V11-60B-250	V11-60B-300	V11-60B-350	V11-60B-400
72"	V11-72B-100	V11-72B-200	V11-72B-250	V11-72B-300	V11-72B-350	V11-72B-400
96"	V11-96B-100	V11-96B-200	V11-96B-250	V11-96B-300	V11-96B-350	V11-96B-400

## Technical Information

Fume hood Dimensions	Exterior Dimensions			Sash Opening	Interior Dimensions			Viewing Dimensions
	Width	Depth	Height		Width	Depth	Height	
48" type	48"	32.75" or 38.75"	55"	38.5" x 27.25"	38.5"	26.5" or 32.5"	48"	38.5" x 32"
60" type	60"	32.75" or 38.75"	55"	50.5" x 27.25"	50.5"	26.5" or 32.5"	48"	50.5" x 32"
72" type	72"	32.75" or 38.75"	55"	62.5" x 27.25"	62.5"	26.5" or 32.5"	48"	62.5" x 32"
96" type	96"	32.75" or 38.75"	55"	86.5" x 27.25"	86.5"	26.5" or 32.5"	48"	86.5" x 32"



Exhaust air volumes are calculated with all horizontal sashes in closed position.

			Exhaust data with 27.25" full open sash								
			100 feet/minute velocity			80 feet/minute velocity			60 feet/minute velocity		
Hood width	Face Opening	Duct collar size diameter	Exhaust CFM	Duct collar FPM	Static pressure loss	Exhaust CFM	Duct collar FPM	Static pressure loss	Exhaust CFM	Duct collar FPM	Static pressure loss
48"	38.5" x 27.25"	1x 10"	728	1334	0.18"	583	1069	0.12"	437	801	0.065"
60"	50.5" x 27.25"	1x 12"	955	1215	0.25"	765	973	0.17"	573	730	0.09"
72"	62.5" x 27.25"	1x 12"	1183	1506	0.30"	946	1205	0.22"	710	904	0.15"
96"	86.5" x 27.25"	2x 10"	1636	1499	0.20"	1310	1200	0.14"	982	900	0.08"

			Exhaust data with 18" open sash								
			100 feet/minute velocity			80 feet/minute velocity			60 feet/minute velocity		
Hood width	Face Opening	Duct collar size diameter	Exhaust CFM	Duct collar FPM	Static pressure loss	Exhaust CFM	Duct collar FPM	Static pressure loss	Exhaust CFM	Duct collar FPM	Static pressure loss
48"	38.5" x 18"	1x 10"	481	882	0.12"	385	706	0.08"	289	530	0.05"
60"	50.5" x 18"	1x 12"	631	803	0.18"	505	643	0.12"	379	298	0.06"
72"	62.5" x 18"	1x 12"	781	994	0.21"	625	795	0.15"	469	597	0.11"
96"	86.5" x 18"	2x 10"	1081	992	0.14"	865	794	0.10"	649	595	0.06"

It is recommended to add a 3% safety leak factor to all above exhaust calculated volumes in order to compensate normal site system air leakage.

## CAV or VAV Fume Hood / Split Sash

### Standard Features

- ▶ Two Vertical rising sashes with stainless steel handle and frame.
- ▶ Generous 26.5" interior dept with standard 32.75" O.D (32.5" ID with 38.75" OD hood).
- ▶ Tall front opening view height of 68" with standard 36" base cabinet.
- ▶ Aerodynamic T.316 Stainless steel air foil with electrical cord access.
- ▶ Removable factory set interior baffles.
- ▶ Fluorescent light, light switch and 2 duplex 120V - 20A with internal wiring on 1 circuit.
- ▶ Front corner posts & interior side panels pre-punched to accept up to 10 plumbing fixtures.
- ▶ Removable and easy replaceable interior access panel on each side wall for plumbing access.
- ▶ Removable exterior side panels.
- ▶ Upper and lower bypasses with interior adjustable top front panel. For VAV models only.
- ▶ Cable and pully sash system.
- ▶ Stainless steel 316 round exhaust collar.
- ▶ White polyester FRP lining  $\frac{3}{16}$ " thickness.

### CONSTANT AIR VOLUME CAV - SPLIT SASH - 32.75" OD DEEP (STANDARD DEFAULT)

WIDTH	FRP (standard)	SS304 PANELS	SS316 PANELS	SS304 SEAMLESS	SS316 SEAMLESS	WHITE HDPE
60"	C12-60A-100	C12-60A-200	C12-60A-250	C12-60A-300	C12-60A-350	C12-60A-400
72"	C12-72A-100	C12-72A-200	C12-72A-250	C12-72A-300	C12-72A-350	C12-72A-400
96"	C12-96A-100	C12-96A-200	C12-96A-250	C12-96A-300	C12-96A-350	C12-96A-400

### CONSTANT AIR VOLUME CAV - SPLIT SASH - 38.75" OD DEEP (OPTIONAL)

WIDTH	FRP	SS304 PANELS	SS316 PANELS	SS304 SEAMLESS	SS316 SEAMLESS	WHITE HDPE
60"	C12-60B-100	C12-60B-200	C12-60B-250	C12-60B-300	C12-60B-350	C12-60B-400
72"	C12-72B-100	C12-72B-200	C12-72B-250	C12-72B-300	C12-72B-350	C12-72B-400
96"	C12-96B-100	C12-96B-200	C12-96B-250	C12-96B-300	C12-96B-350	C12-96B-400

### VARIABLE AIR VOLUME VAV - SPLIT SASH - 32.75" OD DEEP (STANDARD DEFAULT)

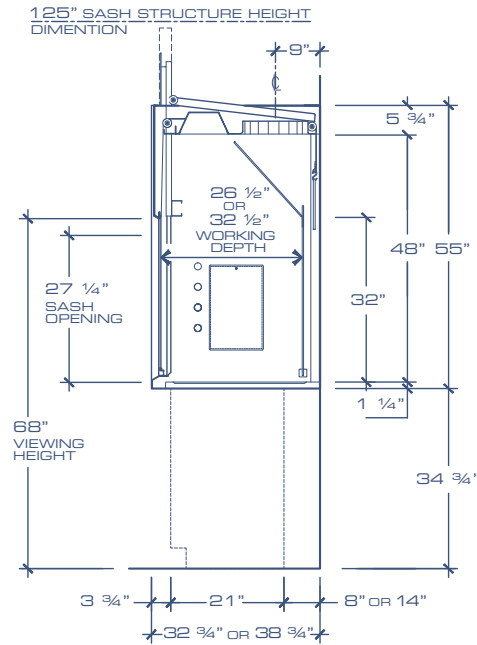
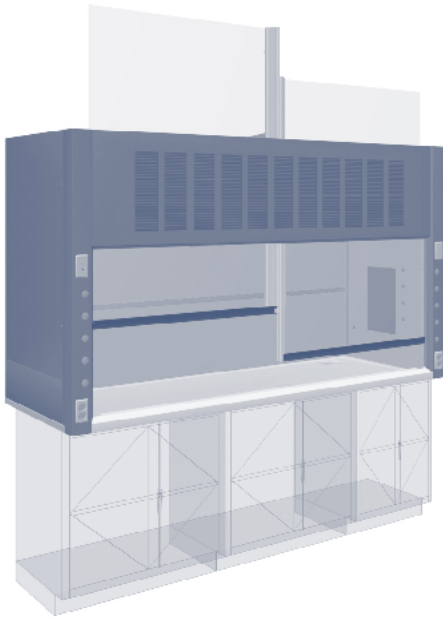
WIDTH	FRP (standard)	SS304 PANELS	SS316 PANELS	SS304 SEAMLESS	SS316 SEAMLESS	WHITE HDPE
60"	V12-60A-100	V12-60A-200	V12-60A-250	V12-60A-300	V12-60A-350	V12-60A-400
72"	V12-72A-100	V12-72A-200	V12-72A-250	V12-72A-300	V12-72A-350	V12-72A-400
96"	V12-96A-100	V12-96A-200	V12-96A-250	V12-96A-300	V12-96A-350	V12-96A-400

### VARIABLE AIR VOLUME VAV - SPLIT SASH - 38.75" OD DEEP (OPTIONAL)

WIDTH	FRP	SS304 PANELS	SS316 PANELS	SS304 SEAMLESS	SS316 SEAMLESS	WHITE HDPE
60"	V12-60B-100	V12-60B-200	V12-60B-250	V12-60B-300	V12-60B-350	V12-60B-400
72"	V12-72B-100	V12-72B-200	V12-72B-250	V12-72B-300	V12-72B-350	V12-72B-400
96"	V12-96B-100	V12-96B-200	V12-96B-250	V12-96B-300	V12-96B-350	V12-96B-400

## Technical Information

Fume hood Dimensions	Exterior Dimensions			Sash Opening	Interior Dimensions			Viewing Dimensions
	Width	Depth	Height		Width	Depth	Height	
60" type	60"	32.75" or 38.75"	55"	50.5" x 27.25"	50.5"	26.5" or 32.5"	48"	50.5" x 32"
72" type	72"	32.75" or 38.75"	55"	62.5" x 27.25"	62.5"	26.5" or 32.5"	48"	62.5" x 32"
96" type	96"	32.75" or 38.75"	55"	86.5" x 27.25"	86.5"	26.5" or 32.5"	48"	86.5" x 32"



**Exhaust data with both sashes fully open at 27.25"**

Hood width	Face Opening	Duct collar size diameter	100 feet/minute velocity			80 feet/minute velocity			60 feet/minute velocity		
			Exhaust CFM	Duct collar FPM	Static pressure loss	Exhaust CFM	Duct collar FPM	Static pressure loss	Exhaust CFM	Duct collar FPM	Static pressure loss
60"	50.5" x 27.25"	1x 12"	955	1215	0.25"	765	973	0.17"	573	730	0.09"
72"	62.5" x 27.25"	1x 12"	1183	1506	0.30"	946	1205	0.22"	710	904	0.15"
96"	86.5" x 27.25"	2x 10"	1636	1499	0.20"	1310	1200	0.14"	982	900	0.08"

**Exhaust data with both sashes fully open at 18"**

Hood width	Face Opening	Duct collar size diameter	100 feet/minute velocity			80 feet/minute velocity			60 feet/minute velocity		
			Exhaust CFM	Duct collar FPM	Static pressure loss	Exhaust CFM	Duct collar FPM	Static pressure loss	Exhaust CFM	Duct collar FPM	Static pressure loss
60"	50.5" x 18"	1x 12"	631	803	0.18"	505	643	0.12"	379	298	0.06"
72"	62.5" x 18"	1x 12"	781	994	0.21"	625	795	0.15"	469	597	0.11"
96"	86.5" x 18"	2x 10"	1081	992	0.14"	865	794	0.10"	649	595	0.06"

It is recommended to add a 3 % safety leak factor to all above exhaust calculated volumes in order to compensate normal site system air leakage.

## CAV or VAV Fume Hood High View / Vertical Sash

### Standard Features

- ▶ Vertical rising sash with black PVC handle.
- ▶ Generous 26.5" interior dept with standard 32.75" O.D (32.5" ID with 38.75" OD hood).
- ▶ Tall front opening view height of 78" with standard 36" base cabinet.
- ▶ Aerodynamic T.316 Stainless steel air foil with electrical cord access.
- ▶ Removable factory set interior baffles.
- ▶ Fluorescent light, light switch and 2 duplex 120V - 20A with internal wiring on 1 circuit.
- ▶ Front corner posts & interior side panels pre-punched to accept up to 10 plumbing fixtures.
- ▶ Removable and easy replaceable interior access panel on each side wall for plumbing access.
- ▶ Removable exterior side panels.
- ▶ Upper and lower bypasses with interior adjustable top front panel. For VAV models only.
- ▶ Cable and pulley sash system.
- ▶ Stainless steel 316 round exhaust collar.
- ▶ White polyester FRP lining  $\frac{3}{16}$ " thickness.

### CONSTANT AIR VOLUME CAV - HIGH VIEW - VERTICAL SASH - 32.75" OD DEEP (STANDARD DEFAULT)

WIDTH	FRP (standard)	SS304 PANELS	SS316 PANELS	SS304 SEAMLESS	SS316 SEAMLESS	WHITE HDPE
48"	C13-48A-100	C13-48A-200	C13-48A-250	C13-48A-300	C13-48A-350	C13-48A-400
60"	C13-60A-100	C13-60A-200	C13-60A-250	C13-60A-300	C13-60A-350	C13-60A-400
72"	C13-72A-100	C13-72A-200	C13-72A-250	C13-72A-300	C13-72A-350	C13-72A-400
96"	C13-96A-100	C13-96A-200	C13-96A-250	C13-96A-300	C13-96A-350	C13-96A-400

### CONSTANT AIR VOLUME CAV - HIGH VIEW - VERTICAL SASH - 38.75" OD DEEP (OPTIONAL)

WIDTH	FRP	SS304 PANELS	SS316 PANELS	SS304 SEAMLESS	SS316 SEAMLESS	WHITE HDPE
48"	C13-48B-100	C13-48B-200	C13-48B-250	C13-48B-300	C13-48B-350	C13-48B-400
60"	C13-60B-100	C13-60B-200	C13-60B-250	C13-60B-300	C13-60B-350	C13-60B-400
72"	C13-72B-100	C13-72B-200	C13-72B-250	C13-72B-300	C13-72B-350	C13-72B-400
96"	C13-96B-100	C13-96B-200	C13-96B-250	C13-96B-300	C13-96B-350	C13-96B-400

### "VARIABLE AIR VOLUME VAV - HIGH VIEW - VERTICAL SASH - 32.75" OD DEEP (STANDARD DEFAULT)

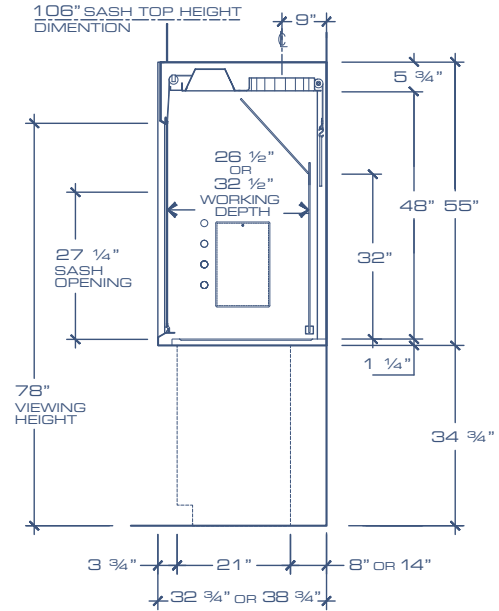
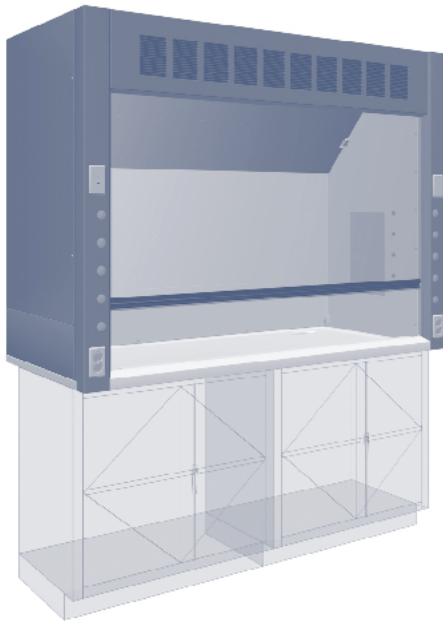
WIDTH	FRP (standard)	SS304 PANELS	SS316 PANELS	SS304 SEAMLESS	SS316 SEAMLESS	WHITE HDPE
48"	V13-48A-100	V13-48A-200	V13-48A-250	V13-48A-300	V13-48A-350	V13-48A-400
60"	V13-60A-100	V13-60A-200	V13-60A-250	V13-60A-300	V13-60A-350	V13-60A-400
72"	V13-72A-100	V13-72A-200	V13-72A-250	V13-72A-300	V13-72A-350	V13-72A-400
96"	V13-96A-100	V13-96A-200	V13-96A-250	V13-96A-300	V13-96A-350	V13-96A-400

### VARIABLE AIR VOLUME VAV - HIGH VIEW - VERTICAL SASH - 38.75" OD DEEP (OPTIONAL)

WIDTH	FRP	SS304 PANELS	SS316 PANELS	SS304 SEAMLESS	SS316 SEAMLESS	WHITE HDPE
48"	V13-48B-100	V13-48B-200	V13-48B-250	V13-48B-300	V13-48B-350	V13-48B-400
60"	V13-60B-100	V13-60B-200	V13-60B-250	V13-60B-300	V13-60B-350	V13-60B-400
72"	V13-72B-100	V13-72B-200	V13-72B-250	V13-72B-300	V13-72B-350	V13-72B-400
96"	V13-96B-100	V13-96B-200	V13-96B-250	V13-96B-300	V13-96B-350	V13-96B-400

## Technical Information

Fume hood Dimensions	Exterior Dimensions			Sash Opening	Interior Dimensions			Viewing Dimensions
	Width	Depth	Height		Width	Depth	Height	
48" type	48"	32.75" or 38.75"	55"	38.5" x 27.25"	38.5"	26.5" or 32.5"	48"	38.5" x 42"
60" type	60"	32.75" or 38.75"	55"	50.5" x 27.25"	50.5"	26.5" or 32.5"	48"	50.5" x 42"
72" type	72"	32.75" or 38.75"	55"	62.5" x 27.25"	62.5"	26.5" or 32.5"	48"	62.5" x 42"
96" type	96"	32.75" or 38.75"	55"	86.5" x 27.25"	86.5"	26.5" or 32.5"	48"	86.5" x 42"



**Exhaust data with 27.25" full open sash**

Hood width	Face Opening	Duct collar size diameter	100 feet/minute velocity			80 feet/minute velocity			60 feet/minute velocity		
			Exhaust CFM	Duct collar FPM	Static pressure loss	Exhaust CFM	Duct collar FPM	Static pressure loss	Exhaust CFM	Duct collar FPM	Static pressure loss
48"	38.5" x 27.25"	1x 10"	728	1334	0.18"	583	1069	0.12"	437	801	0.065"
60"	50.5" x 27.25"	1x 12"	955	1215	0.25"	765	973	0.17"	573	730	0.09"
72"	62.5" x 27.25"	1x 12"	1183	1506	0.30"	946	1205	0.22"	710	904	0.15"
96"	86.5" x 27.25"	2x 10"	1636	1499	0.20"	1310	1200	0.14"	982	900	0.08"

**Exhaust data with 18" open sash**

Hood width	Face Opening	Duct collar size diameter	100 feet/minute velocity			80 feet/minute velocity			60 feet/minute velocity		
			Exhaust CFM	Duct collar FPM	Static pressure loss	Exhaust CFM	Duct collar FPM	Static pressure loss	Exhaust CFM	Duct collar FPM	Static pressure loss
48"	38.5" x 18"	1x 10"	481	882	0.12"	385	706	0.08"	289	530	0.05"
60"	50.5" x 18"	1x 12"	631	803	0.18"	505	643	0.12"	379	298	0.06"
72"	62.5" x 18"	1x 12"	781	994	0.21"	625	795	0.15"	469	597	0.11"
96"	86.5" x 18"	2x 10"	1081	992	0.14"	865	794	0.10"	649	595	0.06"

It is recommended to add a 3 % safety leak factor to all above exhaust calculated volumes in order to compensate normal site system air leakage.



## CAV or VAV Fume Hood High View / Combination Sash

### Standard Features

- ▶ Combination sash with Painted steel handle and frame.
- ▶ Generous 26.5" interior dept with standard 32.75" O.D (32.5" ID with 38.75" OD hood).
- ▶ Tall front opening view height of 78" with standard 36" base cabinet.
- ▶ Aerodynamic T.316 Stainless steel air foil with electrical cord access.
- ▶ Removable factory set interior baffles.
- ▶ Fluorescent light, light switch and 2 duplex 120V - 20A with internal wiring on 1 circuit.
- ▶ Front corner posts & interior side panels pre-punched to accept up to 10 plumbing fixtures.
- ▶ Removable and easy replaceable interior access panel on each side wall for plumbing access.
- ▶ Removable exterior side panels.
- ▶ Upper and lower bypasses with interior adjustable top front panel. For VAV models only.
- ▶ Cable and pully sash system.
- ▶ Stainless steel 316 round exhaust collar.
- ▶ White polyester FRP lining 3/16" thickness.

### CONSTANT AIR VOLUME CAV - HIGH VIEW - COMBINATION SASH - 32.75" OD DEEP (STANDARD DEFAULT)

WIDTH	FRP (standard)	SS304 PANELS	SS316 PANELS	SS304 SEAMLESS	SS316 SEAMLESS	WHITE HDPE
48"	C14-48A-100	C14-48A-200	C14-48A-250	C14-48A-300	C14-48A-350	C14-48A-400
60"	C14-60A-100	C14-60A-200	C14-60A-250	C14-60A-300	C14-60A-350	C14-60A-400
72"	C14-72A-100	C14-72A-200	C14-72A-250	C14-72A-300	C14-72A-350	C14-72A-400
96"	C14-96A-100	C14-96A-200	C14-96A-250	C14-96A-300	C14-96A-350	C14-96A-400

### CONSTANT AIR VOLUME CAV - HIGH VIEW - COMBINATION SASH - 38.75" OD DEEP (OPTIONAL)

WIDTH	FRP	SS304 PANELS	SS316 PANELS	SS304 SEAMLESS	SS316 SEAMLESS	WHITE HDPE
48"	C14-48B-100	C14-48B-200	C14-48B-250	C14-48B-300	C14-48B-350	C14-48B-400
60"	C14-60B-100	C14-60B-200	C14-60B-250	C14-60B-300	C14-60B-350	C14-60B-400
72"	C14-72B-100	C14-72B-200	C14-72B-250	C14-72B-300	C14-72B-350	C14-72B-400
96"	C14-96B-100	C14-96B-200	C14-96B-250	C14-96B-300	C14-96B-350	C14-96B-400

### VARIABLE AIR VOLUME VAV - HIGH VIEW - COMBINATION SASH - 32.75" OD DEEP (STANDARD DEFAULT)

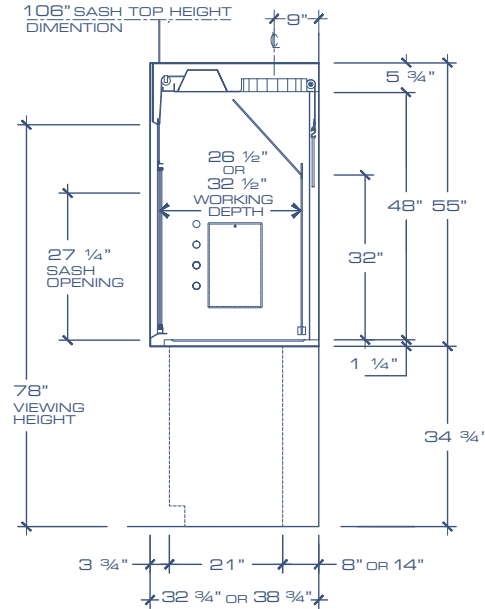
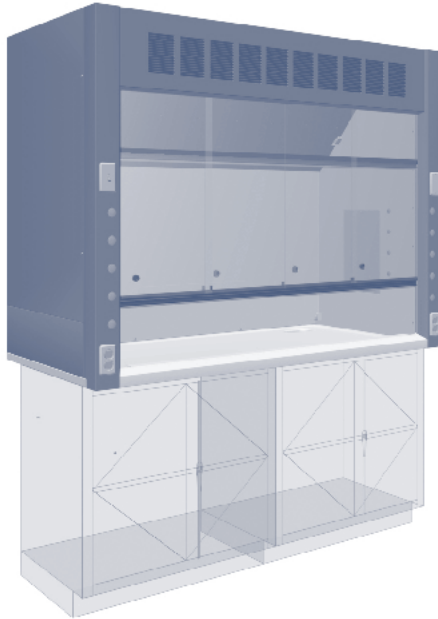
WIDTH	FRP (standard)	SS304 PANELS	SS316 PANELS	SS304 SEAMLESS	SS316 SEAMLESS	WHITE HDPE
48"	V14-48A-100	V14-48A-200	V14-48A-250	V14-48A-300	V14-48A-350	V14-48A-400
60"	V14-60A-100	V14-60A-200	V14-60A-250	V14-60A-300	V14-60A-350	V14-60A-400
72"	V14-72A-100	V14-72A-200	V14-72A-250	V14-72A-300	V14-72A-350	V14-72A-400
96"	V14-96A-100	V14-96A-200	V14-96A-250	V14-96A-300	V14-96A-350	V14-96A-400

### VARIABLE AIR VOLUME VAV - HIGH VIEW - COMBINATION SASH - 38.75" OD DEEP (OPTIONAL)

WIDTH	FRP	SS304 PANELS	SS316 PANELS	SS304 SEAMLESS	SS316 SEAMLESS	WHITE HDPE
48"	V14-48B-100	V14-48B-200	V14-48B-250	V14-48B-300	V14-48B-350	V14-48B-400
60"	V14-60B-100	V14-60B-200	V14-60B-250	V14-60B-300	V14-60B-350	V14-60B-400
72"	V14-72B-100	V14-72B-200	V14-72B-250	V14-72B-300	V14-72B-350	V14-72B-400
96"	V14-96B-100	V14-96B-200	V14-96B-250	V14-96B-300	V14-96B-350	V14-96B-400

## Technical Information

Fume hood Dimensions	Exterior Dimensions			Sash Opening	Interior Dimensions			Viewing Dimensions
	Width	Depth	Height		Width	Depth	Height	
48" type	48"	32.75" or 38.75"	55"	38.5" x 27.25"	38.5"	26.5" or 32.5"	48"	38.5" x 42"
60" type	60"	32.75" or 38.75"	55"	50.5" x 27.25"	50.5"	26.5" or 32.5"	48"	50.5" x 42"
72" type	72"	32.75" or 38.75"	55"	62.5" x 27.25"	62.5"	26.5" or 32.5"	48"	62.5" x 42"
96" type	96"	32.75" or 38.75"	55"	86.5" x 27.25"	86.5"	26.5" or 32.5"	48"	86.5" x 42"



Exhaust air volumes are calculated with all horizontal sashes in closed position.

			Exhaust data with 27.25" full open sash								
			100 feet/minute velocity			80 feet/minute velocity			60 feet/minute velocity		
Hood width	Face Opening	Duct collar size diameter	Exhaust CFM	Duct collar FPM	Static pressure loss	Exhaust CFM	Duct collar FPM	Static pressure loss	Exhaust CFM	Duct collar FPM	Static pressure loss
48"	38.5" x 27.25"	1x 10"	728	1334	0.18"	583	1069	0.12"	437	801	0.065"
60"	50.5" x 27.25"	1x 12"	955	1215	0.25"	765	973	0.17"	573	730	0.09"
72"	62.5" x 27.25"	1x 12"	1183	1506	0.30"	946	1205	0.22"	710	904	0.15"
96"	86.5" x 27.25"	2x 10"	1636	1499	0.20"	1310	1200	0.14"	982	900	0.08"

			Exhaust data with 18" open sash								
			100 feet/minute velocity			80 feet/minute velocity			60 feet/minute velocity		
Hood width	Face Opening	Duct collar size diameter	Exhaust CFM	Duct collar FPM	Static pressure loss	Exhaust CFM	Duct collar FPM	Static pressure loss	Exhaust CFM	Duct collar FPM	Static pressure loss
48"	38.5" x 18"	1x 10"	481	882	0.12"	385	706	0.08"	289	530	0.05"
60"	50.5" x 18"	1x 12"	631	803	0.18"	505	643	0.12"	379	298	0.06"
72"	62.5" x 18"	1x 12"	781	994	0.21"	625	795	0.15"	469	597	0.11"
96"	86.5" x 18"	2x 10"	1081	992	0.14"	865	794	0.10"	649	595	0.06"

It is recommended to add a 3 % safety leak factor to all above exhaust calculated volumes in order to compensate normal site system air leakage.

## CAV or VAV Fume Hood Distillation / Vertical Sash

### Standard Features

- ▶ Vertical rising sash with black PVC handle.
- ▶ Exterior height and sash view height are both taller than the regular fume hood by 10"
- ▶ Generous 26.5" interior dept with standard 32.75" O.D (32.5" ID with 38.75" OD hood).
- ▶ Tall front opening view height of 72" with low height 28.75" base.
- ▶ Aerodynamic T.316 Stainless steel air foil with electrical cord access.
- ▶ Removable factory set interior baffles.
- ▶ Fluorescent light, light switch and 2 duplex 120V - 20A with internal wiring on 1 circuit.
- ▶ Front corner posts & interior side panels pre-punched to accept up to 10 plumbing fixtures.
- ▶ Removable and easy replaceable interior access panel on each side wall for plumbing access.
- ▶ Removable exterior side panels.
- ▶ Upper and lower bypasses with interior adjustable top front panel. For VAV models only.
- ▶ Cable and pully sash system.
- ▶ Stainless steel 316 round exhaust collar.
- ▶ White polyester FRP lining 3/16" thickness.

### CONSTANT AIR VOLUME CAV - CALIFORNIAN - VERTICAL SASH - 32.75" OD DEEP (STANDARD DEFAULT)

WIDTH	FRP (standard)	SS304 PANELS	SS316 PANELS	SS304 SEAMLESS	SS316 SEAMLESS	WHITE HDPE
48"	C15-48A-100	C15-48A-200	C15-48A-250	C15-48A-300	C15-48A-350	C15-48A-400
60"	C15-60A-100	C15-60A-200	C15-60A-250	C15-60A-300	C15-60A-350	C15-60A-400
72"	C15-72A-100	C15-72A-200	C15-72A-250	C15-72A-300	C15-72A-350	C15-72A-400
96"	C15-96A-100	C15-96A-200	C15-96A-250	C15-96A-300	C15-96A-350	C15-96A-400

### CONSTANT AIR VOLUME CAV - CALIFORNIAN - VERTICAL SASH - 38.75" OD DEEP (OPTIONAL)

WIDTH	FRP	SS304 PANELS	SS316 PANELS	SS304 SEAMLESS	SS316 SEAMLESS	WHITE HDPE
48"	C15-48B-100	C15-48B-200	C15-48B-250	C15-48B-300	C15-48B-350	C15-48B-400
60"	C15-60B-100	C15-60B-200	C15-60B-250	C15-60B-300	C15-60B-350	C15-60B-400
72"	C15-72B-100	C15-72B-200	C15-72B-250	C15-72B-300	C15-72B-350	C15-72B-400
96"	C15-96B-100	C15-96B-200	C15-96B-250	C15-96B-300	C15-96B-350	C15-96B-400

### VARIABLE AIR VOLUME VAV - CALIFORNIAN - VERTICAL SASH - 32.75" OD DEEP (STANDARD DEFAULT)

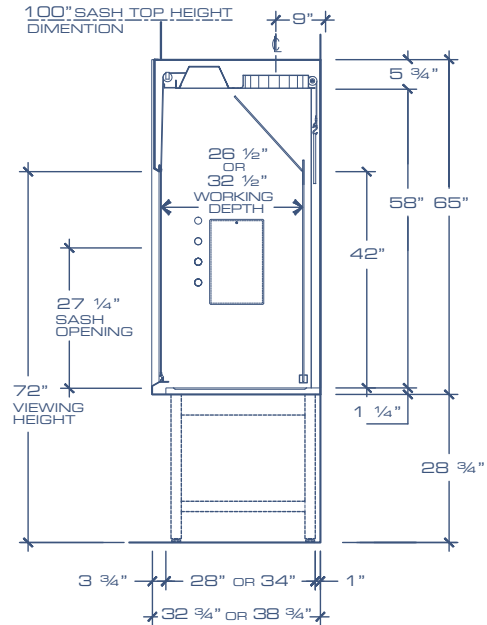
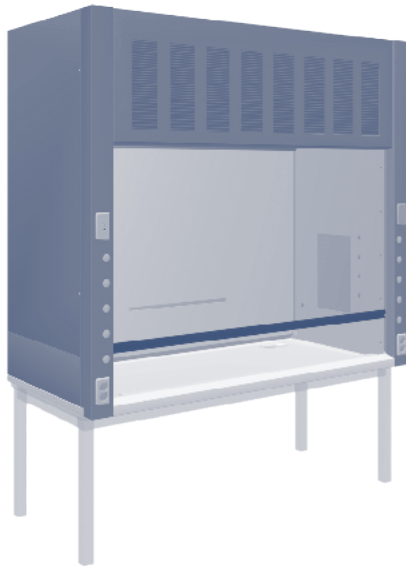
WIDTH	FRP (standard)	SS304 PANELS	SS316 PANELS	SS304 SEAMLESS	SS316 SEAMLESS	WHITE HDPE
48"	V16-48A-100	V16-48A-200	V16-48A-250	V16-48A-300	V16-48A-350	V16-48A-400
60"	V16-60A-100	V16-60A-200	V16-60A-250	V16-60A-300	V16-60A-350	V16-60A-400
72"	V16-72A-100	V16-72A-200	V16-72A-250	V16-72A-300	V16-72A-350	V16-72A-400
96"	V16-96A-100	V16-96A-200	V16-96A-250	V16-96A-300	V16-96A-350	V16-96A-400

### VARIABLE AIR VOLUME VAV - CALIFORNIAN - VERTICAL SASH - 38.75" OD DEEP (OPTIONAL)

WIDTH	FRP	SS304 PANELS	SS316 PANELS	SS304 SEAMLESS	SS316 SEAMLESS	WHITE HDPE
48"	V16-48B-100	V16-48B-200	V16-48B-250	V16-48B-300	V16-48B-350	V16-48B-400
60"	V16-60B-100	V16-60B-200	V16-60B-250	V16-60B-300	V16-60B-350	V16-60B-400
72"	V16-72B-100	V16-72B-200	V16-72B-250	V16-72B-300	V16-72B-350	V16-72B-400
96"	V16-96B-100	V16-96B-200	V16-96B-250	V16-96B-300	V16-96B-350	V16-96B-400

## Technical Information

Fume hood Dimensions	Exterior Dimensions			Sash Opening	Interior Dimensions			Viewing Dimensions
	Width	Depth	Height		Width	Depth	Height	
48" type	48"	32.75" or 38.75"	55"	38.5" x 27.25"	38.5"	26.5" or 32.5"	48"	38.5" x 42"
60" type	60"	32.75" or 38.75"	55"	50.5" x 27.25"	50.5"	26.5" or 32.5"	48"	50.5" x 42"
72" type	72"	32.75" or 38.75"	55"	62.5" x 27.25"	62.5"	26.5" or 32.5"	48"	62.5" x 42"
96" type	96"	32.75" or 38.75"	55"	86.5" x 27.25"	86.5"	26.5" or 32.5"	48"	86.5" x 42"



### Exhaust data with 27.25" full open sash

Hood width	Face Opening	Duct collar size diameter	100 feet/minute velocity			80 feet/minute velocity			60 feet/minute velocity		
			Exhaust CFM	Duct collar FPM	Static pressure loss	Exhaust CFM	Duct collar FPM	Static pressure loss	Exhaust CFM	Duct collar FPM	Static pressure loss
48"	38.5" x 27.25"	1x 10"	728	1334	0.18"	583	1069	0.12"	437	801	0.065"
60"	50.5" x 27.25"	1x 12"	955	1215	0.25"	765	973	0.17"	573	730	0.09"
72"	62.5" x 27.25"	1x 12"	1183	1506	0.30"	946	1205	0.22"	710	904	0.15"
96"	86.5" x 27.25"	2x 10"	1636	1499	0.20"	1310	1200	0.14"	982	900	0.08"

### Exhaust data with 18" open sash

Hood width	Face Opening	Duct collar size diameter	100 feet/minute velocity			80 feet/minute velocity			60 feet/minute velocity		
			Exhaust CFM	Duct collar FPM	Static pressure loss	Exhaust CFM	Duct collar FPM	Static pressure loss	Exhaust CFM	Duct collar FPM	Static pressure loss
48"	38.5" x 18"	1x 10"	481	882	0.12"	385	706	0.08"	289	530	0.05"
60"	50.5" x 18"	1x 12"	631	803	0.18"	505	643	0.12"	379	298	0.06"
72"	62.5" x 18"	1x 12"	781	994	0.21"	625	795	0.15"	469	597	0.11"
96"	86.5" x 18"	2x 10"	1081	992	0.14"	865	794	0.10"	649	595	0.06"

It is recommended to add a 3 % safety leak factor to all above exhaust calculated volumes in order to compensate normal site system air leakage.

**CAV or VAV Fume Hood ADA / Combination Sash**
**Standard Features**

- ▶ Combination sash with painted steel handle.
- ▶ Generous 26.5" interior dept with standard 32.75" O.D (32.5" ID with 38.75" OD hood).
- ▶ Tall front opening view height of 65.75" with standard ADA height 32.5" base cabinet.
- ▶ Aerodynamic flush sill T.316 Stainless steel with spill trough and electrical cord access.
- ▶ Factory set interior baffles removable.
- ▶ Fluorescent light, light switch and 2 duplex 120V - 20A with internal wiring on 1 circuit.
- ▶ Front corner posts & interior side panels pre-punched to accept up to 10 plumbing fixtures.
- ▶ Removable and easy replaceable interior access panel in each side walls for plumbing access.
- ▶ Removable exterior side panels.
- ▶ Upper and lower bypasses with interior adjustable top front panel. For VAV models only.
- ▶ Cable and pully sash system.
- ▶ Stainless steel 316 round exhaust collar.
- ▶ Lower location of Electrical and plumbing fixtures per ADA requirements
- ▶ White polyester FRP lining 3/16" thickness.

**CONSTANT AIR VOLUME CAV - ADA - COMBINATION SASH - 32.75" OD DEEP (STANDARD DEFAULT)**

WIDTH	FRP (standard)	SS304 PANELS	SS316 PANELS	SS304 SEAMLESS	SS316 SEAMLESS	WHITE HDPE
48"	C20-48A-100	C20-48A-200	C20-48A-250	C20-48A-300	C20-48A-350	C20-48A-400
60"	C20-60A-100	C20-60A-200	C20-60A-250	C20-60A-300	C20-60A-350	C20-60A-400
72"	C20-72A-100	C20-72A-200	C20-72A-250	C20-72A-300	C20-72A-350	C20-72A-400
96"	C20-96A-100	C20-96A-200	C20-96A-250	C20-96A-300	C20-96A-350	C20-96A-400

**CONSTANT AIR VOLUME CAV - ADA - COMBINATION SASH - 38.75" OD DEEP (OPTIONAL)**

WIDTH	FRP	SS304 PANELS	SS316 PANELS	SS304 SEAMLESS	SS316 SEAMLESS	WHITE HDPE
48"	C20-48B-100	C20-48B-200	C20-48B-250	C20-48B-300	C20-48B-350	C20-48B-400
60"	C20-60B-100	C20-60B-200	C20-60B-250	C20-60B-300	C20-60B-350	C20-60B-400
72"	C20-72B-100	C20-72B-200	C20-72B-250	C20-72B-300	C20-72B-350	C20-72B-400
96"	C20-96B-100	C20-96B-200	C20-96B-250	C20-96B-300	C20-96B-350	C20-96B-400

**VARIABLE AIR VOLUME VAV - ADA - COMBINATION SASH - 32.75" OD DEEP (STANDARD DEFAULT)**

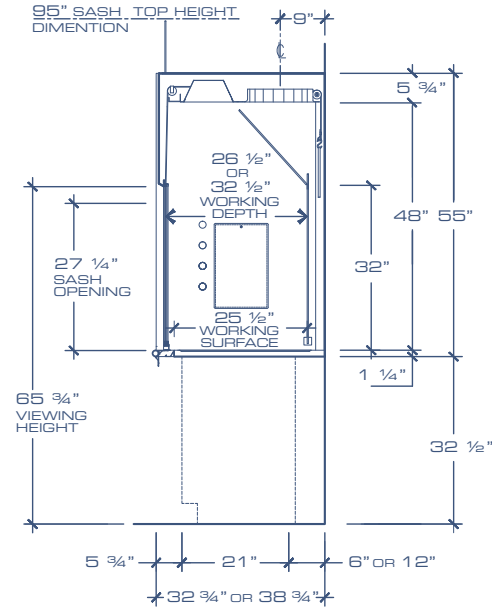
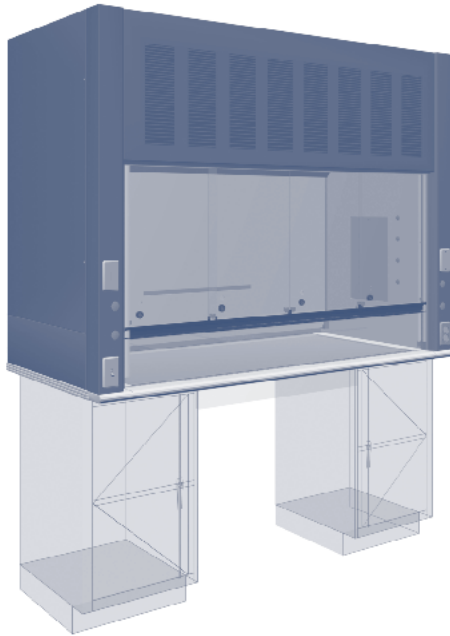
WIDTH	FRP (standard)	SS304 PANELS	SS316 PANELS	SS304 SEAMLESS	SS316 SEAMLESS	WHITE HDPE
48"	V20-48A-100	V20-48A-200	V20-48A-250	V20-48A-300	V20-48A-350	V20-48A-400
60"	V20-60A-100	V20-60A-200	V20-60A-250	V20-60A-300	V20-60A-350	V20-60A-400
72"	V20-72A-100	V20-72A-200	V20-72A-250	V20-72A-300	V20-72A-350	V20-72A-400
96"	V20-96A-100	V20-96A-200	V20-96A-250	V20-96A-300	V20-96A-350	V20-96A-40

**VARIABLE AIR VOLUME VAV - ADA - COMBINATION SASH - 38.75" OD DEEP (OPTIONAL)**

WIDTH	FRP	SS304 PANELS	SS316 PANELS	SS304 SEAMLESS	SS316 SEAMLESS	WHITE HDPE
48"	V20-48B-100	V20-48B-200	V20-48B-250	V20-48B-300	V20-48B-350	V20-48B-400
60"	V20-60B-100	V20-60B-200	V20-60B-250	V20-60B-300	V20-60B-350	V20-60B-400
72"	V20-72B-100	V20-72B-200	V20-72B-250	V20-72B-300	V20-72B-350	V20-72B-400
96"	V20-96B-100	V20-96B-200	V20-96B-250	V20-96B-300	V20-96B-350	V20-96B-400

**Technical Information**

Fume hood Dimensions	Exterior Dimensions			Sash Opening	Interior Dimensions			Viewing Dimensions
	Width	Depth	Height		Width	Depth	Height	
48" type	48"	32.75" or 38.75"	55"	38.5" x 27.25"	38.5"	26.5" or 32.5"	48"	38.5" x 32"
60" type	60"	32.75" or 38.75"	55"	50.5" x 27.25"	50.5"	26.5" or 32.5"	48"	50.5" x 32"
72" type	72"	32.75" or 38.75"	55"	62.5" x 27.25"	62.5"	26.5" or 32.5"	48"	62.5" x 32"
96" type	96"	32.75" or 38.75"	55"	86.5" x 27.25"	86.5"	26.5" or 32.5"	48"	86.5" x 32"



**Exhaust air volumes are calculated with all horizontal sashes in closed position.**

			<b>Exhaust data with 27.25" full open sash</b>								
			100 feet/minute velocity			80 feet/minute velocity			60 feet/minute velocity		
Hood width	Face Opening	Duct collar size diameter	Exhaust CFM	Duct collar FPM	Static pressure loss	Exhaust CFM	Duct collar FPM	Static pressure loss	Exhaust CFM	Duct collar FPM	Static pressure loss
48"	38.5" x 27.25"	1x 10"	728	1334	0.18"	583	1069	0.12"	437	801	0.065"
60"	50.5" x 27.25"	1x 12"	955	1215	0.25"	765	973	0.17"	573	730	0.09"
72"	62.5" x 27.25"	1x 12"	1183	1506	0.30"	946	1205	0.22"	710	904	0.15"
96"	86.5" x 27.25"	2x 10"	1636	1499	0.20"	1310	1200	0.14"	982	900	0.08"

			<b>Exhaust data with 18" open sash</b>								
			100 feet/minute velocity			80 feet/minute velocity			60 feet/minute velocity		
Hood width	Face Opening	Duct collar size diameter	Exhaust CFM	Duct collar FPM	Static pressure loss	Exhaust CFM	Duct collar FPM	Static pressure loss	Exhaust CFM	Duct collar FPM	Static pressure loss
48"	38.5" x 18"	1x 10"	481	882	0.12"	385	706	0.08"	289	530	0.05"
60"	50.5" x 18"	1x 12"	631	803	0.18"	505	643	0.12"	379	298	0.06"
72"	62.5" x 18"	1x 12"	781	994	0.21"	625	795	0.15"	469	597	0.11"
96"	86.5" x 18"	2x 10"	1081	992	0.14"	865	794	0.10"	649	595	0.06"

It is recommended to add a 3 % safety leak factor to all above exhaust calculated volumes in order to compensate normal site system air leakage.

## CAV Fume Hood - Perchloric Acid / Vertical Sash

### Standard Features

- ▶ Vertical rising sash with black PVC handle.
- ▶ Generous 26.5" interior dept with standard 32.75" O.D (32.5" ID with 38.75" OD hood).
- ▶ Tall front opening view height of 68" with standard 36" base cabinet.
- ▶ Aerodynamic T.316 Stainless steel air foil with electrical cord access.
- ▶ Removable factory set interior baffles.
- ▶ Fluorescent light, light switch and 2 duplex 120V - 20A with internal wiring on 1 circuit.
- ▶ Front corner posts & interior side panels pre-punched to accept up to 10 plumbing fixtures.
- ▶ Removable exterior side panels.
- ▶ Upper and lower bypasses. For VAV models only.
- ▶ Cable and pully sash system.
- ▶ Stainless steel 316 round exhaust collar.
- ▶ 5/8" OD CPVC perforated washing pipe hook up to a remote controlled front valve for behind baffle washdown.
- ▶ Stainless steel 316 - 18 ga all welded and seamless lining with integral counter top.

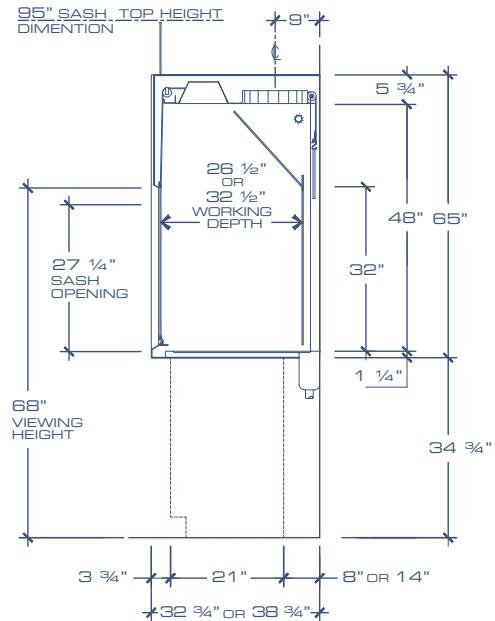
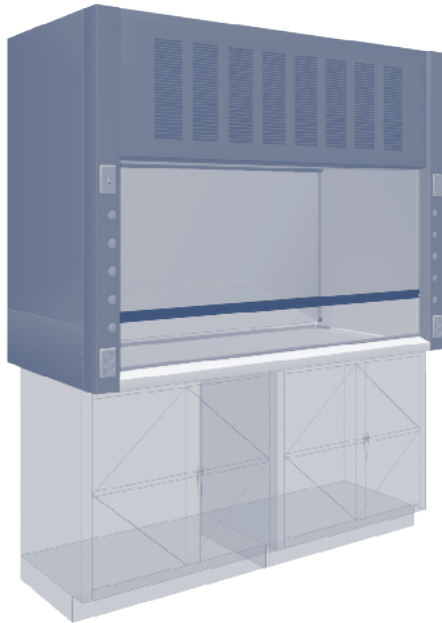
CONSTANT AIR VOLUME CAV - PERCHLORIC - VERTICAL SASH - 32.75" OD DEEP (STANDARD DEFAULT)						
WIDTH	FRP (standard)	SS304 PANELS	SS316 PANELS	SS304 SEAMLESS	SS316 SEAMLESS	WHITE HDPE
48"	NA	NA	NA	NA	C30-48A-350	NA
60"	NA	NA	NA	NA	C30-60A-350	NA
72"	NA	NA	NA	NA	C30-72A-350	NA
96"	NA	NA	NA	NA	C30-96A-350	NA

CONSTANT AIR VOLUME CAV - PERCHLORIC - VERTICAL SASH - 38.75" OD DEEP (OPTIONAL)						
WIDTH	FRP	SS304 PANELS	SS316 PANELS	SS304 SEAMLESS	SS316 SEAMLESS	WHITE HDPE
48"	NA	NA	NA	NA	C30-48B-350	NA
60"	NA	NA	NA	NA	C30-60B-350	NA
72"	NA	NA	NA	NA	C30-72B-350	NA
96"	NA	NA	NA	NA	C30-96B-350	NA



## Technical Information

Fume hood Dimensions	Exterior Dimensions			Sash Opening	Interior Dimensions			Viewing Dimensions
	Width	Depth	Height		Width	Depth	Height	
48" type	48"	32.75" or 38.75"	55"	38.5" x 27.25"	38.5"	26.5" or 32.5"	48"	38.5" x 32"
60" type	60"	32.75" or 38.75"	55"	50.5" x 27.25"	50.5"	26.5" or 32.5"	48"	50.5" x 32"
72" type	72"	32.75" or 38.75"	55"	62.5" x 27.25"	62.5"	26.5" or 32.5"	48"	62.5" x 32"
96" type	96"	32.75" or 38.75"	55"	86.5" x 27.25"	86.5"	26.5" or 32.5"	48"	86.5" x 32"



### Exhaust data with 27.25" full open sash

Hood width	Face Opening	Duct collar size diameter	100 feet/minute velocity			80 feet/minute velocity		
			Exhaust CFM	Duct collar FPM	Static pressure loss	Exhaust CFM	Duct collar FPM	Static pressure loss
48"	38.5" x 27.25"	1x 10"	728	1334	0.18"	583	1069	0.12"
60"	50.5" x 27.25"	1x 12"	955	1215	0.25"	765	973	0.17"
72"	62.5" x 27.25"	1x 12"	1183	1506	0.30"	946	1205	0.22"
96"	86.5" x 27.25"	2x 10"	1636	1499	0.20"	1310	1200	0.14"

### Exhaust data with 18" open sash

Hood width	Face Opening	Duct collar size diameter	100 feet/minute velocity			80 feet/minute velocity		
			Exhaust CFM	Duct collar FPM	Static pressure loss	Exhaust CFM	Duct collar FPM	Static pressure loss
48"	38.5" x 18"	1x 10"	481	882	0.12"	385	706	0.08"
60"	50.5" x 18"	1x 12"	631	803	0.18"	505	643	0.12"
72"	62.5" x 18"	1x 12"	781	994	0.21"	625	795	0.15"
96"	86.5" x 18"	2x 10"	1081	992	0.14"	865	794	0.10"

It is recommended to add a 3 % safety leak factor to all above exhaust calculated volumes in order to compensate normal site system air leakage.

**CAV or VAV Fume Hood Radio Isotope / Vertical Sash**
**Standard Features**

- ▶ Vertical rising sash with black PVC handle.
- ▶ Generous 26.5" interior dept with standard 32.75" O.D (32.5" ID with 38.75" OD hood).
- ▶ Tall front opening view height of 68" with standard 36" base cabinet.
- ▶ Aerodynamic T.316 Stainless steel air foil with electrical cord access.
- ▶ Stainless steel 304 -18 ga all welded and seamless lining with integral counter top.
- ▶ Removable factory set interior baffles.
- ▶ Fluorescent light, light switch and 2 duplex 120V - 20A with internal wiring on 1 circuit.
- ▶ Front corner posts & interior side panels pre-punched to accept up to 10 plumbing fixtures.
- ▶ Removable exterior side panels.
- ▶ Upper and lower bypasses with interior adjustable top front panel. For VAV models only.
- ▶ Cable and pully sash system.
- ▶ Stainless steel 316 round exhaust collar.

**CONSTANT AIR VOLUME CAV - RADIO ISOTOPE - VERTICAL SASH - 32.75" OD DEEP (STANDARD DEFAULT)**

WIDTH	FRP (standard)	SS304 PANELS	SS316 PANELS	SS304 SEAMLESS	SS316 SEAMLESS	WHITE HDPE
48"	NA	NA	NA	C40-48A-300	NA	NA
60"	NA	NA	NA	C40-60A-300	NA	NA
72"	NA	NA	NA	C40-72A-300	NA	NA
96"	NA	NA	NA	C40-96A-300	NA	NA

**CONSTANT AIR VOLUME CAV - RADIO ISOTOPE - VERTICAL SASH - 38.75" OD DEEP (OPTIONAL)**

WIDTH	FRP	SS304 PANELS	SS316 PANELS	SS304 SEAMLESS	SS316 SEAMLESS	WHITE HDPE
48"	NA	NA	NA	C40-48B-300	NA	NA
60"	NA	NA	NA	C40-60B-300	NA	NA
72"	NA	NA	NA	C40-72B-300	NA	NA
96"	NA	NA	NA	C40-96B-300	NA	NA

**VARIABLE AIR VOLUME VAV - RADIO ISOTOPE - VERTICAL SASH - 32.75" OD DEEP (STANDARD DEFAULT)**

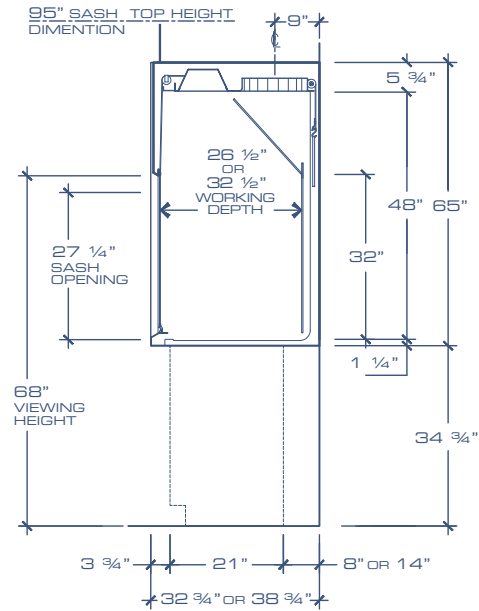
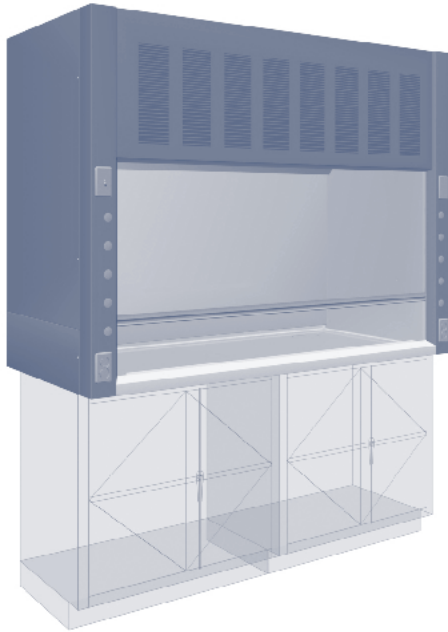
WIDTH	FRP (standard)	SS304 PANELS	SS316 PANELS	SS304 SEAMLESS	SS316 SEAMLESS	WHITE HDPE
48"	NA	NA	NA	V40-48A-300	NA	NA
60"	NA	NA	NA	V40-60A-300	NA	NA
72"	NA	NA	NA	V40-72A-300	NA	NA
96"	NA	NA	NA	V40-96A-300	NA	NA

**VARIABLE AIR VOLUME VAV - RADIO ISOTOPE - VERTICAL SASH - 38.75" OD DEEP (OPTIONAL)**

WIDTH	FRP	SS304 PANELS	SS316 PANELS	SS304 SEAMLESS	SS316 SEAMLESS	WHITE HDPE
48"	NA	NA	NA	V40-48B-300	NA	NA
60"	NA	NA	NA	V40-60B-300	NA	NA
72"	NA	NA	NA	V40-72B-300	NA	NA
96"	NA	NA	NA	V40-96B-300	NA	NA

## Technical Information

Fume hood Dimensions	Exterior Dimensions			Sash Opening	Interior Dimensions			Viewing Dimensions
	Width	Depth	Height		Width	Depth	Height	
48" type	48"	32.75" or 38.75"	55"	38.5" x 27.25"	38.5"	26.5" or 32.5"	48"	38.5" x 32"
60" type	60"	32.75" or 38.75"	55"	50.5" x 27.25"	50.5"	26.5" or 32.5"	48"	50.5" x 32"
72" type	72"	32.75" or 38.75"	55"	62.5" x 27.25"	62.5"	26.5" or 32.5"	48"	62.5" x 32"
96" type	96"	32.75" or 38.75"	55"	86.5" x 27.25"	86.5"	26.5" or 32.5"	48"	86.5" x 32"



### Exhaust data with 27.25" full open sash

Hood width	Face Opening	Duct collar size diameter	100 feet/minute velocity			80 feet/minute velocity			60 feet/minute velocity		
			Exhaust CFM	Duct collar FPM	Static pressure loss	Exhaust CFM	Duct collar FPM	Static pressure loss	Exhaust CFM	Duct collar FPM	Static pressure loss
48"	38.5" x 27.25"	1x 10"	728	1334	0.18"	583	1069	0.12"	437	801	0.065"
60"	50.5" x 27.25"	1x 12"	955	1215	0.25"	765	973	0.17"	573	730	0.09"
72"	62.5" x 27.25"	1x 12"	1183	1506	0.30"	946	1205	0.22"	710	904	0.15"
96"	86.5" x 27.25"	2x 10"	1636	1499	0.20"	1310	1200	0.14"	982	900	0.08"

### Exhaust data with 18" open sash

Hood width	Face Opening	Duct collar size diameter	100 feet/minute velocity			80 feet/minute velocity			60 feet/minute velocity		
			Exhaust CFM	Duct collar FPM	Static pressure loss	Exhaust CFM	Duct collar FPM	Static pressure loss	Exhaust CFM	Duct collar FPM	Static pressure loss
48"	38.5" x 18"	1x 10"	481	882	0.12"	385	706	0.08"	289	530	0.05"
60"	50.5" x 18"	1x 12"	631	803	0.18"	505	643	0.12"	379	298	0.06"
72"	62.5" x 18"	1x 12"	781	994	0.21"	625	795	0.15"	469	597	0.11"
96"	86.5" x 18"	2x 10"	1081	992	0.14"	865	794	0.10"	649	595	0.06"

It is recommended to add a 3 % safety leak factor to all above exhaust calculated volumes in order to compensate normal site system air leakage.

## CAV Fume Hood - Auxiliary / Vertical Sash

### Standard Features

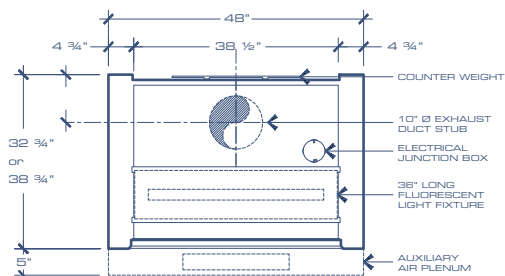
- ▶ Vertical rising sash with black PVC handle.
- ▶ Generous 26.5" interior dept with standard 32.75" O.D (32.5" ID with 38.75" OD hood).
- ▶ Tall front opening view height of 68" with standard 36" base cabinet.
- ▶ Aerodynamic T.316 Stainless steel air foil with electrical cord access.
- ▶ Removable factory set interior baffles.
- ▶ Fluorescent light, light switch and 2 duplex 120V - 20A with internal wiring on 1 circuit.
- ▶ Front corner posts & interior side panels pre-punched to accept up to 10 plumbing fixtures.
- ▶ Removable and easy replaceable interior access panel on each side wall for plumbing access.
- ▶ Removable exterior side panels.
- ▶ Upper and lower bypasses. For VAV models only.
- ▶ Cable and pully sash system.
- ▶ Stainless steel 316 round exhaust collar.
- ▶ Front upper intake plenum with inside deviation filtering grills.
- ▶ White polyester FRP lining  $\frac{3}{16}$ " thickness.

### CONSTANT AIR VOLUME CAV - AUXILIARY - VERTICAL SASH - 32.75" OD DEEP (STANDARD DEFAULT)

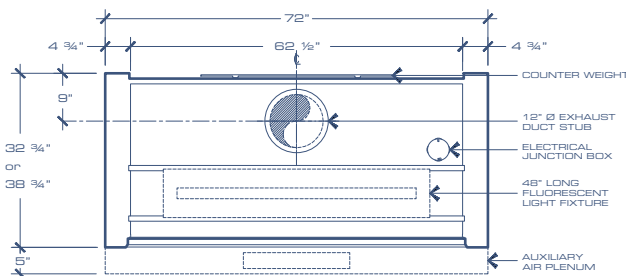
WIDTH	FRP (standard)	SS304 PANELS	SS316 PANELS	SS304 SEAMLESS	SS316 SEAMLESS	WHITE HDPE
48"	C50-48A-100	C50-48A-200	C50-48A-250	C50-48A-300	C50-48A-350	C50-48A-400
60"	C50-60A-100	C50-60A-200	C50-60A-250	C50-60A-300	C50-60A-350	C50-60A-400
72"	C50-72A-100	C50-72A-200	C50-72A-250	C50-72A-300	C50-72A-350	C50-72A-400
96"	C50-96A-100	C50-96A-200	C50-96A-250	C50-96A-300	C50-96A-350	C50-96A-400

### CONSTANT AIR VOLUME CAV - AUXILIARY - VERTICAL SASH - 38.75" OD DEEP (OPTIONAL)

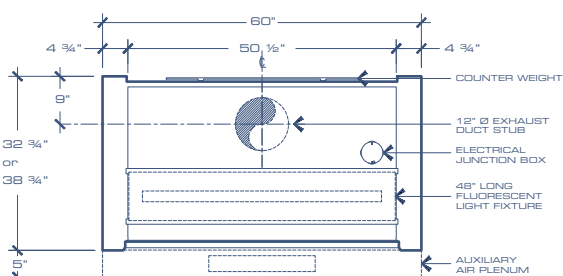
WIDTH	FRP	SS304 PANELS	SS316 PANELS	SS304 SEAMLESS	SS316 SEAMLESS	WHITE HDPE
48"	C50-48B-100	C50-48B-200	C50-48B-250	C50-48B-300	C50-48B-350	C50-48B-400
60"	C50-60B-100	C50-60B-200	C50-60B-250	C50-60B-300	C50-60B-350	C50-60B-400
72"	C50-72B-100	C50-72B-200	C50-72B-250	C50-72B-300	C50-72B-350	C50-72B-400
96"	C50-96B-100	C50-96B-200	C50-96B-250	C50-96B-300	C50-96B-350	C50-96B-400



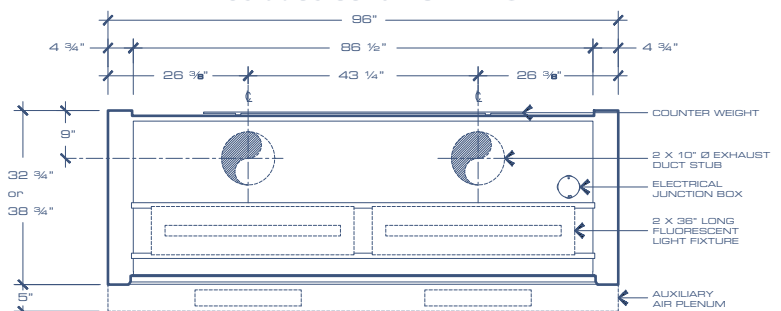
**Inlet duct collar 3" x 20"**



**Inlet duct collar 3" x 20"**



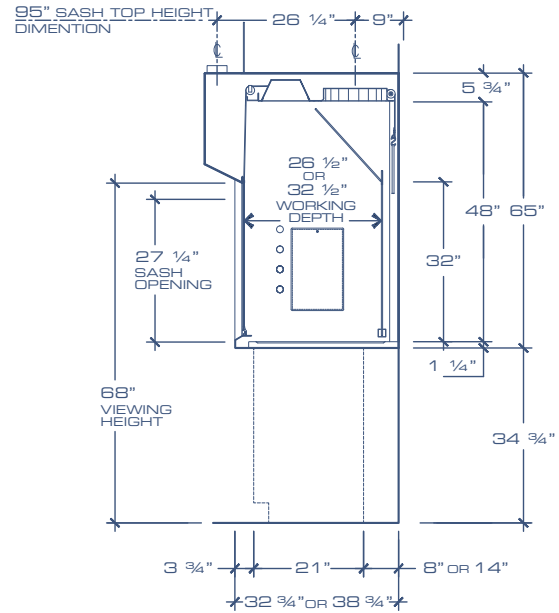
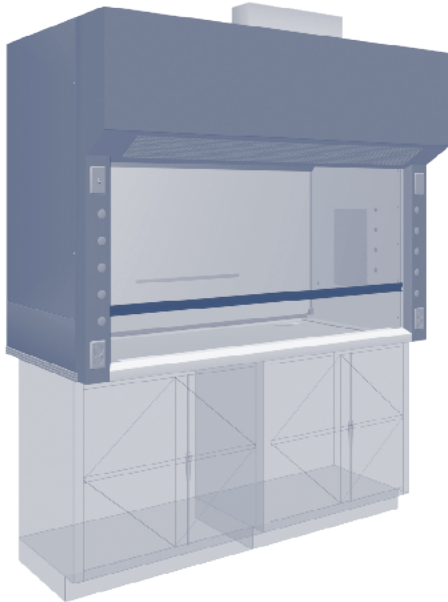
**Inlet duct collar 3" x 20"**



**2 x Inlet duct collars 3" x 20"**

## Technical Information

Fume hood Dimensions	Exterior Dimensions			Sash Opening	Interior Dimensions			Viewing Dimensions
	Width	Depth	Height		Width	Depth	Height	
48" type	48"	32.75" or 38.75"	55"	38.5" x 27.25"	38.5"	26.5" or 32.5"	48"	38.5" x 32"
60" type	60"	32.75" or 38.75"	55"	50.5" x 27.25"	50.5"	26.5" or 32.5"	48"	50.5" x 32"
72" type	72"	32.75" or 38.75"	55"	62.5" x 27.25"	62.5"	26.5" or 32.5"	48"	62.5" x 32"
96" type	96"	32.75" or 38.75"	55"	86.5" x 27.25"	86.5"	26.5" or 32.5"	48"	86.5" x 32"



Make-up air volume to the hood should be to a maximum of 70% of the exhaust volume

			Exhaust data with 27.25" full open sash								
			100 feet/minute velocity			80 feet/minute velocity			60 feet/minute velocity		
Hood width	Face Opening	Duct collar size diameter	Exhaust CFM	Duct collar FPM	Static pressure loss	Exhaust CFM	Duct collar FPM	Static pressure loss	Exhaust CFM	Duct collar FPM	Static pressure loss
48"	38.5" x 27.25"	1x 10"	728	1334	0.18"	583	1069	0.12"	437	801	0.065"
60"	50.5" x 27.25"	1x 12"	955	1215	0.25"	765	973	0.17"	573	730	0.09"
72"	62.5" x 27.25"	1x 12"	1183	1506	0.30"	946	1205	0.22"	710	904	0.15"
96"	86.5" x 27.25"	2x 10"	1636	1499	0.20"	1310	1200	0.14"	982	900	0.08"

			Exhaust data with 18" open sash								
			100 feet/minute velocity			80 feet/minute velocity			60 feet/minute velocity		
Hood width	Face Opening	Duct collar size diameter	Exhaust CFM	Duct collar FPM	Static pressure loss	Exhaust CFM	Duct collar FPM	Static pressure loss	Exhaust CFM	Duct collar FPM	Static pressure loss
48"	38.5" x 18"	1x 10"	481	882	0.12"	385	706	0.08"	289	530	0.05"
60"	50.5" x 18"	1x 12"	631	803	0.18"	505	643	0.12"	379	298	0.06'
72"	62.5" x 18"	1x 12"	781	994	0.21"	625	795	0.15"	469	597	0.11"
96"	86.5" x 18"	2x 10"	1081	992	0.14"	865	794	0.10"	649	595	0.06"

It is recommended to add a 3 % safety leak factor to all above exhaust calculated volumes in order to compensate normal site system air leakage.

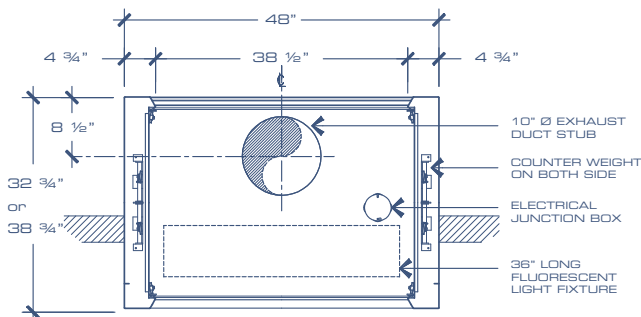
## Constant Air Volume Fume Hood Pass Through / Vertical Sash

### Standard Features

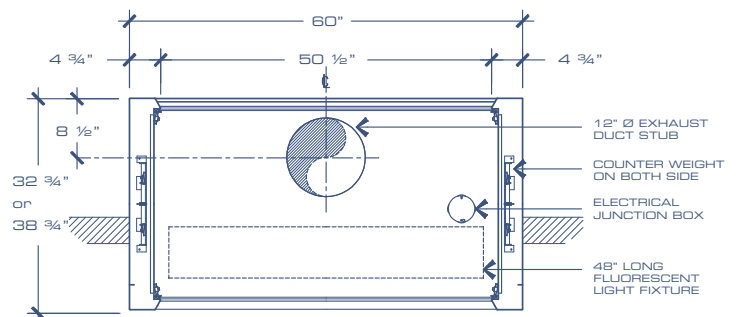
- ▶ Vertical rising sash with black PVC handle.
- ▶ Generous 27.375" interior dept with standard 32.75" O.D (33.375" ID with 38.75" OD hood).
- ▶ Tall front opening view height of 68" with standard 36" base cabinet.
- ▶ Aerodynamic T.316 Stainless steel air foil with electrical cord access on both sides.
- ▶ Fluorescent light, light switch and 2 duplex 120V - 20A with internal wiring on 1 circuit.
- ▶ Front corner posts & interior side panels pre-punched to accept up to 5 plumbing fixtures.
- ▶ Removable exterior side panel.
- ▶ Upper and lower bypasses with interior adjustable top front panel. For VAV models only.
- ▶ Cable and pulley sash system.
- ▶ Stainless steel 316 round exhaust collar.
- ▶ White polyester FRP lining  $\frac{3}{16}$ " thickness.

CONSTANT AIR VOLUME CAV - PASS THROUGH - VERTICAL SASH - 32.25" OD DEEP (STANDARD DEFAULT)						
WIDTH	FRP (standard)	SS304 PANELS	SS316 PANELS	SS304 SEAMLESS	SS316 SEAMLESS	WHITE HDPE
48"	C60-48A-100	C60-48A-200	C60-48A-250	C60-48A-300	C60-48A-350	C60-48A-400
60"	C60-60A-100	C60-60A-200	C60-60A-250	C60-60A-300	C60-60A-350	C60-60A-400
72"	C60-72A-100	C60-72A-200	C60-72A-250	C60-72A-300	C60-72A-350	C60-72A-400

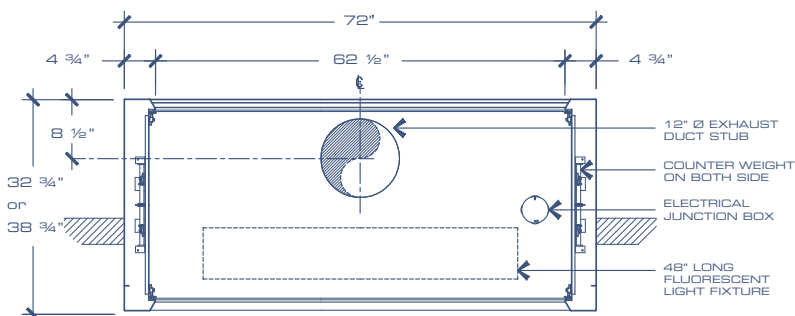
CONSTANT AIR VOLUME CAV - PASS THROUGH - VERTICAL SASH - 38.25" OD DEEP (OPTIONAL)						
WIDTH	FRP	SS304 PANELS	SS316 PANELS	SS304 SEAMLESS	SS316 SEAMLESS	WHITE HDPE
48"	C60-48B-100	C60-48B-200	C60-48B-250	C60-48B-300	C60-48B-350	C60-48B-400
60"	C60-60B-100	C60-60B-200	C60-60B-250	C60-60B-300	C60-60B-350	C60-60B-400
72"	C60-72B-100	C60-72B-200	C60-72B-250	C60-72B-300	C60-72B-350	C60-72B-400



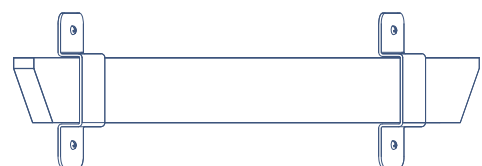
Dimensions apply to all 48" hood



Dimensions apply to all 60" hood



Dimensions apply to all 72" hood

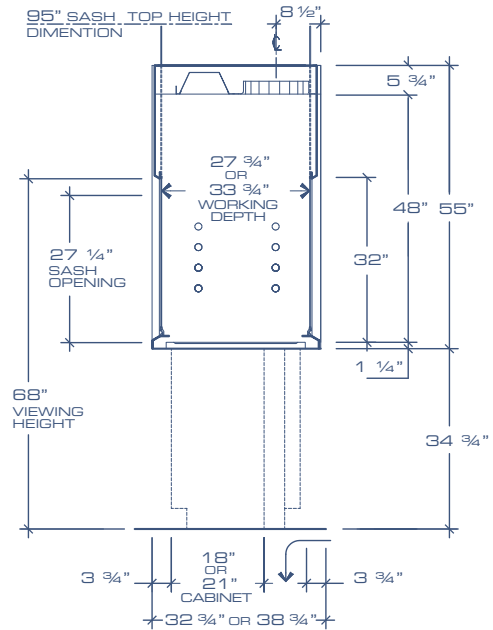
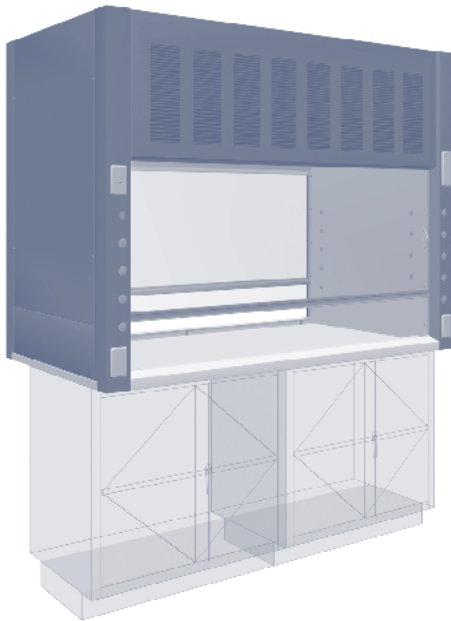


### OPTIONAL SASH INTERLOCK

- ▶ Model no. VPS-01  
(to be added to hood model no.)

## Technical Information

Fume hood Dimensions	Exterior Dimensions			Sash Opening	Interior Dimensions			Viewing Dimensions
	Width	Depth	Height		Width	Depth	Height	
48" type	48"	32.75" or 38.75"	55"	38.5" x 27.25"	38.5"	27.375" or 33,375"	48"	38.5" x 32"
60" type	60"	32.75" or 38.75"	55"	50.5" x 27.25"	50.5"	27.375" or 33,375"	48"	50.5" x 32"
72" type	72"	32.75" or 38.75"	55"	62.5" x 27.25"	62.5"	27.375" or 33,375"	48"	62.5" x 32"



Exhaust air volumes are calculated using one side opening at the time

			Exhaust data with 27.25" full open sash					
			100 feet/minute velocity			80 feet/minute velocity		
Hood width	Face Opening	Duct collar size diameter	Exhaust CFM	Duct collar FPM	Static pressure loss	Exhaust CFM	Duct collar FPM	Static pressure loss
48"	38.5" x 27.25"	1x 10"	728	1334	0.18"	583	1069	0.12"
60"	50.5" x 27.25"	1x 12"	955	1215	0.25"	765	973	0.17"
72"	62.5" x 27.25"	1x 12"	1183	1506	0.30"	946	1205	0.22"

			Exhaust data with 18" open sash					
			100 feet/minute velocity			80 feet/minute velocity		
Hood width	Face Opening	Duct collar size diameter	Exhaust CFM	Duct collar FPM	Static pressure loss	Exhaust CFM	Duct collar FPM	Static pressure loss
48"	38.5" x 18"	1x 10"	481	882	0.12"	385	706	0.08"
60"	50.5" x 18"	1x 12"	631	803	0.18"	505	643	0.12"
72"	62.5" x 18"	1x 12"	781	994	0.21"	625	795	0.15"

It is recommended to add a 3 % safety leak factor to all above exhaust calculated volumes in order to compensate normal site system air leakage.



## CAV Floor Mounted Fume Hood / Vertical Sash

### Standard Features

- ▶ Two vertical rising sashes with black PVC handles.
- ▶ Generous 25.5" interior dept with standard 32.75" O.D (31.5" ID with 38.75" OD hood or 40.75" ID with 48" OD hood).
- ▶ Tall front opening view height of 76".
- ▶ Removable factory set interior baffles.
- ▶ Aerodynamic T.316 stainless steel floor sill.
- ▶ Fluorescent light, light switch and 2 duplex 120V - 20A with internal wiring on 1 circuit.
- ▶ Front corner posts & interior side panels pre-punched to accept up to 10 plumbing fixtures.
- ▶ Removable and easy replaceable interior access panel on each side wall for plumbing access.
- ▶ Removable exterior side panels.
- ▶ Upper and lower bypasses with interior adjustable top front panel. For VAV models only.
- ▶ Cable and pulley sash system.
- ▶ Stainless steel 316 round exhaust collar.
- ▶ Hood will be shipped knock down.
- ▶ White polyester FRP lining  $\frac{3}{16}$ " thickness.

### CONSTANT AIR VOLUME CAV - FLOOR MOUNTED - DUAL VERTICAL SASH - 32.75" OD DEEP (STANDARD DEFAULT)

WIDTH	FRP (standard)	SS304 PANELS	SS316 PANELS	SS304 SEAMLESS	SS316 SEAMLESS	WHITE HDPE
48"	C70-48A-100	C70-48A-200	C70-48A-250	NA	NA	C70-48A-400
60"	C70-60A-100	C70-60A-200	C70-60A-250	NA	NA	C70-60A-400
72"	C70-72A-100	C70-72A-200	C70-72A-250	NA	NA	C70-72A-400
96"	C70-96A-100	C70-96A-200	C70-96A-250	NA	NA	C70-96A-400

### CONSTANT AIR VOLUME CAV - FLOOR MOUNTED - DUAL VERTICAL SASH - 38.75" OD DEEP (OPTIONAL)

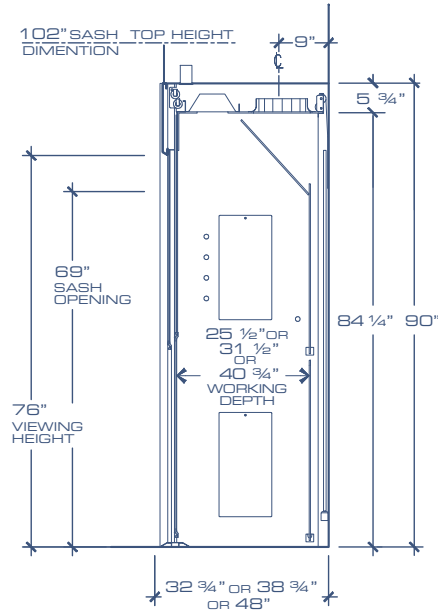
WIDTH	FRP	SS304 PANELS	SS316 PANELS	SS304 SEAMLESS	SS316 SEAMLESS	WHITE HDPE
48"	C70-48B-100	C70-48B-200	C70-48B-250	NA	NA	C70-48B-400
60"	C70-60B-100	C70-60B-200	C70-60B-250	NA	NA	C70-60B-400
72"	C70-72B-100	C70-72B-200	C70-72B-250	NA	NA	C70-72B-400
96"	C70-96B-100	C70-96B-200	C70-96B-250	NA	NA	C70-96B-400

### CONSTANT AIR VOLUME CAV - FLOOR MOUNTED - DUAL VERTICAL SASH - 48" OD DEEP (OPTIONAL)

WIDTH	FRP	SS304 PANELS	SS316 PANELS	SS304 SEAMLESS	SS316 SEAMLESS	WHITE HDPE
48"	C70-48C-100	C70-48C-200	C70-48C-250	NA	NA	C70-48C-400
60"	C70-60C-100	C70-60C-200	C70-60C-250	NA	NA	C70-60C-400
72"	C70-72C-100	C70-72C-200	C70-72C-250	NA	NA	C70-72C-400
96"	C70-96C-100	C70-96C-200	C70-96C-250	NA	NA	C70-96C-400

## Technical Information

Fume hood Dimensions	Exterior Dimensions			Sash Opening	Interior Dimensions			Viewing Dimensions
	Width	Depth	Height		Width	Depth	Height	
48" type	48"	32.75" or 38.75" or 48"	90"	38.5" x 69"	38.5"	25.5" or 31.5" or 40.75"	84"	38.5" x 76"
60" type	60"	32.75" or 38.75" or 48"	90"	50.5" x 69"	50.5"	25.5" or 31.5" or 40.75"	84"	50.5" x 76"
72" type	72"	32.75" or 38.75" or 48"	90"	62.5" x 69"	62.5"	25.5" or 31.5" or 40.75"	84"	62.5" x 76"
96" type	96"	32.75" or 38.75" or 48"	90"	86.5" x 69"	86.5"	25.5" or 31.5" or 40.75"	84"	86.5" x 76"



Exhaust air volumes are calculated with lower sash at closed position

			Exhaust data with 27.25" full open sash								
			100 feet/minute velocity			80 feet/minute velocity			60 feet/minute velocity		
Hood width	Face Opening	Duct collar size diameter	Exhaust CFM	Duct collar FPM	Static pressure loss	Exhaust CFM	Duct collar FPM	Static pressure loss	Exhaust CFM	Duct collar FPM	Static pressure loss
48"	38.5" x 27.25"	1x 10"	728	1334	0.18"	583	1069	0.12"	437	801	0.065"
60"	50.5" x 27.25"	1x 12"	955	1215	0.25"	765	973	0.17"	573	730	0.09"
72"	62.5" x 27.25"	1x 12"	1183	1506	0.30"	946	1205	0.22"	710	904	0.15"
96"	86.5" x 27.25"	2x 10"	1636	1499	0.20"	1310	1200	0.14"	982	900	0.08"

			Exhaust data with 18" open sash								
			100 feet/minute velocity			80 feet/minute velocity			60 feet/minute velocity		
Hood width	Face Opening	Duct collar size diameter	Exhaust CFM	Duct collar FPM	Static pressure loss	Exhaust CFM	Duct collar FPM	Static pressure loss	Exhaust CFM	Duct collar FPM	Static pressure loss
48"	38.5" x 18"	1x 10"	481	882	0.12"	385	706	0.08"	289	530	0.05"
60"	50.5" x 18"	1x 12"	631	803	0.18"	505	643	0.12"	379	298	0.06"
72"	62.5" x 18"	1x 12"	781	994	0.21"	625	795	0.15"	469	597	0.11"
96"	86.5" x 18"	2x 10"	1081	992	0.14"	865	794	0.10"	649	595	0.06"

It is recommended to add a 3 % safety leak factor to all above exhaust calculated volumes in order to compensate normal site system air leakage.

**CAV Floor Mounted Fume Hood / Horizontal Sliding Sash**
**Standard Features**

- ▶ Horizontal sliding sashes on an aluminum hanging structure.
- ▶ Generous 25.5" interior dept with standard 32.75" O.D (31.5" ID with 38.75" OD hood and 40.75" ID with 48" hood).
- ▶ Tall front opening view height of 76".
- ▶ Removable factory set interior baffles.
- ▶ Aerodynamic T.316 stainless steel floor sill.
- ▶ Fluorescent light, light switch and 2 duplex 120V - 20A with internal wiring on 1 circuit.
- ▶ Front corner posts & interior side panels pre-punched to accept up to 10 plumbing fixtures.
- ▶ Removable and easy replaceable interior access panel on each side wall for plumbing access.
- ▶ Removable exterior side panels.
- ▶ Upper and lower bypasses with interior adjustable top front panel. For VAV models only.
- ▶ Stainless steel 316 round exhaust collar.
- ▶ Hood will be shipped knock down.
- ▶ White polyester FRP lining  $\frac{3}{16}$ " thickness.

**CONSTANT AIR VOLUME CAV - FLOOR MOUNTED - HORIZONTAL SLIDING SASH - 32.75" OD DEEP (STANDARD DEFAULT)**

WIDTH	FRP (standard)	SS304 PANELS	SS316 PANELS	SS304 SEAMLESS	SS316 SEAMLESS	WHITE HDPE
72"	C71-72A-100	C71-72A-200	C71-72A-250	NA	NA	C71-72A-400
96"	C71-96A-100	C71-96A-200	C71-96A-250	NA	NA	C71-96A-400
120"	C71-10A-100	C71-10A-200	C71-10A-250	NA	NA	C71-10A-400
144"	C71-12A-100	C71-12A-200	C71-12A-250	NA	NA	C71-12A-400

**CONSTANT AIR VOLUME CAV - FLOOR MOUNTED - HORIZONTAL SLIDING SASH - 38.75" OD DEEP (STANDARD DEFAULT)**

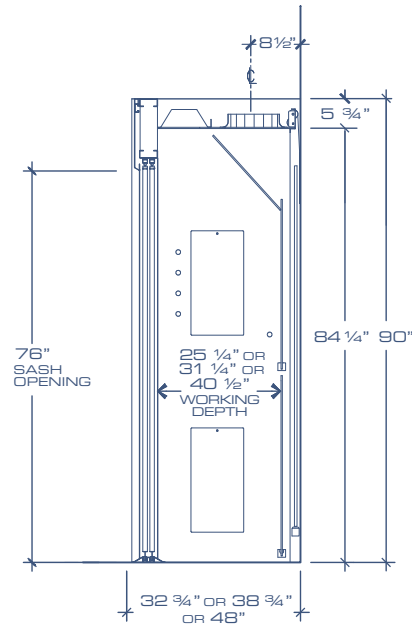
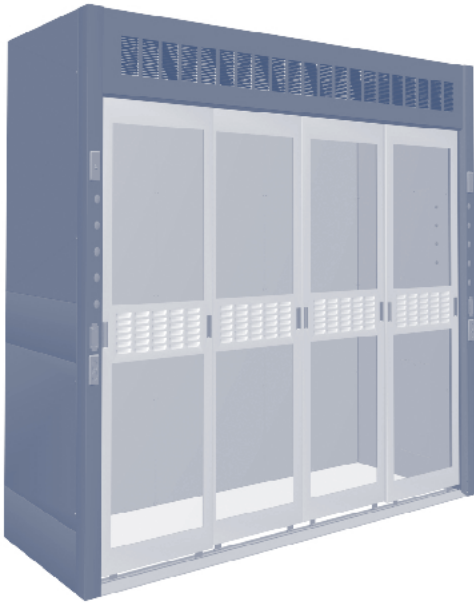
WIDTH	FRP	SS304 PANELS	SS316 PANELS	SS304 SEAMLESS	SS316 SEAMLESS	WHITE HDPE
72"	C71-72B-100	C71-72B-200	C71-72B-250	NA	NA	C71-72B-400
96"	C71-96B-100	C71-96B-200	C71-96B-250	NA	NA	C71-96B-400
120"	C71-10B-100	C71-10B-200	C71-10B-250	NA	NA	C71-10B-400
144"	C71-12B-100	C71-12B-200	C71-12B-250	NA	NA	C71-12B-400

**CONSTANT AIR VOLUME CAV - FLOOR MOUNTED - DUAL VERTICAL SASH - 48" OD DEEP (OPTIONAL)**

WIDTH	FRP	SS304 PANELS	SS316 PANELS	SS304 SEAMLESS	SS316 SEAMLESS	WHITE HDPE
72"	C71-72C-100	C71-72C-200	C71-72C-250	NA	NA	C71-72C-400
96"	C71-96C-100	C71-96C-200	C71-96C-250	NA	NA	C71-96C-400
120"	C71-10C-100	C71-10C-200	C71-10C-250	NA	NA	C71-10C-400
144"	C71-12C-100	C71-12C-200	C71-12C-250	NA	NA	C71-12C-400

## Technical Information

Fume hood Dimensions	Exterior Dimensions			Sash Opening	Interior Dimensions			Viewing Dimensions
	Width	Depth	Height		Width	Depth	Height	
72" type	72"	32.75" or 38.75" or 48"	90"	62,5" x 76"	62,5"	25,25" or 31,25" or 40,5"	84"	62,5" x 76"
96" type	96"	32.75" or 38.75" or 48"	90"	86,5" x 76"	86,5"	25,25" or 31,25" or 40,5"	84"	86,5" x 76"
120" type	120"	32.75" or 38.75" or 48"	90"	110,5" x 76"	110,5"	25,25" or 31,25" or 40,5"	84"	110,5" x 76"
144" type	144"	32.75" or 38.75" or 48"	90"	134,5" x 76"	134,5"	25,25" or 31,25" or 40,5"	84"	134,5" x 76"



			Exhaust data with full open sashes (half the hood width)					
			100 feet/minute velocity			80 feet/minute velocity		
Hood width	Face Opening	Duct collar size diameter	Exhaust CFM	Duct collar FPM	Static pressure loss	Exhaust CFM	Duct collar FPM	Static pressure loss
72"	30" x 76"	2" x 12"	1584	1008	0.18"	1268	808	0.12"
96"	42" x 76"	2" x 12"	2216	1410	0.25"	1772	1128	0.17"
120"	54" x 76"	3" x 12"	2850	1210	0.30"	2280	968	0.22"
144"	66" x 76"	3" x 12"	3484	1478	0.20"	2788	1183	0.14"

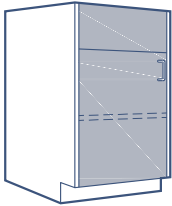
It is recommended to add a 3 % safety leak factor to all above exhaust calculated volumes in order to compensate normal site system air leakage.

## Optional base cabinets

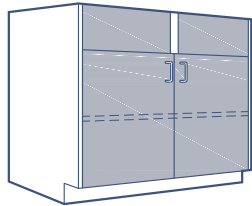
Various optional fume hood base cabinets are shown in our painted steel Forte Inset line catalog including the following types of cabinets normally used under a fume hood.

### Service Cabinet

Cabinets normally used to service a sink installed in the fume hood. Includes one adjustable shelf and a fixed upper panel for mounting of services.



Model no.	Width	Depth	Height
FI-B24-12	12"	21"	28.75"
FI-B24-18	18"	21"	28.75"
FI-B24-24	24"	21"	28.75"
FI-ADA-24-12	12"	21"	32.5"
FI-ADA-24-18	18"	21"	32.5"
FI-ADA-24-24	24"	21"	32.5"
FI-A24-12	12"	21"	34.75"
FI-A24-18	18"	21"	34.75"
FI-A24-24	24"	21"	34.75"



Model no.	Width	Depth	Height
FI-B24-30	30"	21"	28.75"
FI-B24-36	36"	21"	28.75"
FI-B24-48	48"	21"	28.75"
FI-ADA-24-30	30"	21"	32.5"
FI-ADA-24-36	36"	21"	32.5"
FI-ADA-24-48	48"	21"	32.5"
FI-A24-30	30"	21"	34.75"
FI-A24-36	36"	21"	34.75"
FI-A24-48	48"	21"	34.75"

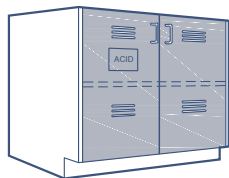
### Acid or Base Storage Cabinets\*

Cabinets for storage of corrosive chemicals (Acids or Bases) under the fume hood. Recommended to be vented through the hood using a vent kit.



Model no.	Width	Depth	Height
FI-B25-18	18"	21"	28.75"
FI-B25-24	24"	21"	28.75"
FI-ADA-25-18	18"	21"	32.5"
FI-ADA-25-24	24"	21"	32.5"
FI-A25-18	18"	21"	34.75"
FI-A25-24	24"	21"	34.75"

All-welded polypropylene liner with two-position polypropylene shelf

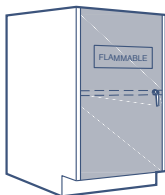


Model no.	Width	Depth	Height
FI-B25-30	30"	21"	28.75"
FI-B25-36	36"	21"	28.75"
FI-B25-48	48"	21"	28.75"
FI-ADA-25-30	30"	21"	32.5"
FI-ADA-25-36	36"	21"	32.5"
FI-ADA-25-48	48"	21"	32.5"
FI-A25-30	30"	21"	34.75"
FI-A25-36	36"	21"	34.75"
FI-A25-48	48"	21"	34.75"

Various optional fume hood base cabinets are shown in our painted steel Forte Inset line catalog including the following types of cabinets normally used under a fume hood.

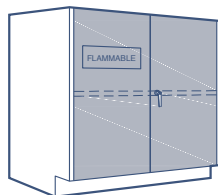
**Solvent Store Cabinets**

Cabinets for storage of flammable chemicals (Solvents) under the fume hood. Not recommended to be vented through the hood.



Model no.	Width	Depth	Height
FI-B23-18-UL	18"	21"	28.75"
FI-B23-24-UL	24"	21"	28.75"
FI-ADA-23-18-UL	18"	21"	32.5"
FI-ADA-23-24-UL	24"	21"	32.5"
FI-A23-18-UL	18"	21"	34.75"
FI-A23-24-UL	24"	21"	34.75"

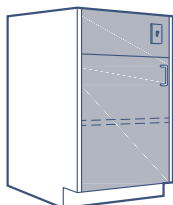
**Certified by Intertek to UL 1275**



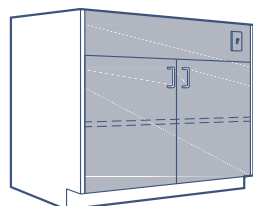
Model no.	Width	Depth	Height
FI-B23-30-UL	30"	21"	28.75"
FI-B23-36-UL	36"	21"	28.75"
FI-B23-48-UL	48"	21"	28.75"
FI-ADA-23-30-UL	30"	21"	32.5"
FI-ADA-23-36-UL	36"	21"	32.5"
FI-ADA-23-48-UL	48"	21"	32.5"
FI-A23-30-UL	30"	21"	34.75"
FI-A23-36-UL	36"	21"	34.75"
FI-A23-48-UL	48"	21"	34.75"

**Pump Cabinets**

Cabinets to house a vacuum pump under the fume hood. It includes one 120V/20A outlet in the cabinet wired to a switch located on the front panel. Recommended to be vented through the hood using a vent kit.



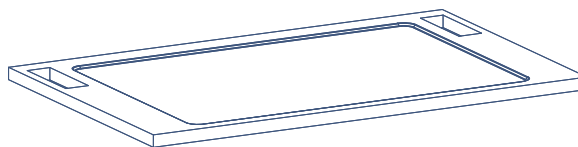
Model no.	Width	Depth	Height
FI-B41-18	18"	21"	28.75"
FI-B41-41	24"	21"	28.75"
FI-ADA-41-18	18"	21"	32.5"
FI-ADA-41-24	24"	21"	32.5"
FI-A41-18	18"	21"	34.75"
FI-A41-24	24"	21"	34.75"



Model no.	Width	Depth	Height
FI-B41-30	30"	21"	28.75"
FI-B41-36	36"	21"	28.75"
FI-B41-48	48"	21"	28.75"
FI-ADA-41-30	30"	21"	32.5"
FI-ADA-41-36	36"	21"	32.5"
FI-ADA-41-48	48"	21"	32.5"
FI-A41-30	30"	21"	34.75"
FI-A41-36	36"	21"	34.75"
FI-A41-48	48"	21"	34.75"

## Optional hood counter tops and sinks

Fume hood counter tops 1 1/4" thick with raised edges.

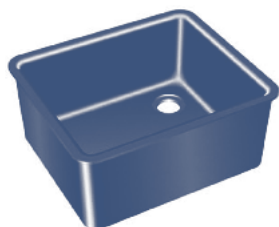


Hood width	Hood depth	Surface sizes	Product numbers		
			Black epoxy resin	Black epoxy resin with left side cup sink cut out	Black epoxy resin with right side cup sink cut out
48"	32,75"	48" x 30"	VT-EP-4830	VT-EP-4830-L	VT-EP-4830-R
48"	38,75"	48" x 36"	VT-EP-4836	VT-EP-4836-L	VT-EP-4836-R
60"	32,75"	60" x 30"	VT-EP-6030	VT-EP-6030-L	VT-EP-6030-R
60"	38,75"	60" x 36"	VT-EP-6036	VT-EP-6036-L	VT-EP-6036-R
72"	32,75"	72" x 30"	VT-EP-7230	VT-EP-7230-L	VT-EP-7230-R
72"	38,75"	72" x 36"	VT-EP-7236	VT-EP-7236-L	VT-EP-7236-R
96"	32,75"	96" x 30"	VT-EP-9630	VT-EP-9630-L	VT-EP-9630-R
96"	38,75"	96" x 36"	VT-EP-9636	VT-EP-9636-L	VT-EP-9636-R
48" ADA hood	32,75"	48" x 29"	VT-EP-4829	VT-EP-4829-L	VT-EP-4829-R
48" ADA hood	38,75"	48" x 35"	VT-EP-4835	VT-EP-4835-L	VT-EP-4835-R
60" ADA hood	32,75"	60" x 29"	VT-EP-6029	VT-EP-6029-L	VT-EP-6029-R
60" ADA hood	38,75"	60" x 35"	VT-EP-6035	VT-EP-6035-L	VT-EP-6035-R
72" ADA hood	32,75"	72" x 29"	VT-EP-7229	VT-EP-7229-L	VT-EP-7229-R
72" ADA hood	38,75"	72" x 35"	VT-EP-7235	VT-EP-7235-L	VT-EP-7235-R
96" ADA hood	32,75"	96" x 29"	VT-EP-9629	VT-EP-9629-L	VT-EP-9629-R
96" ADA hood	38,75"	96" x 35"	VT-EP-9635	VT-EP-9635-L	VT-EP-9635-R
48" Pass-through hood	32,75"	48" x 26,75"	VT-EP-4827	VT-EP-4827-L	VT-EP-4827-R
48" Pass-through hood	38,75"	48" x 32,75"	VT-EP-4833	VT-EP-4833-L	VT-EP-4833-R
60" Pass-through hood	32,75"	60" x 26,75"	VT-EP-6027	VT-EP-6027-L	VT-EP-6027-R
60" Pass-through hood	38,75"	60" x 32,75"	VT-EP-6033	VT-EP-6033-L	VT-EP-6033-R
72" Pass-through hood	32,75"	72" x 26,75"	VT-EP-7227	VT-EP-7227-L	VT-EP-7227-R
72" Pass-through hood	38,75"	72" x 32,75"	VT-EP-7233	VT-EP-7233-L	VT-EP-7233

## Sinks and Cup sinks



Model no.	Sizes (WxDxH)	Description
VCS-4R	6" x 3" x 4"	Black Polypropylene oval cup sink
VCS-04	5.7" x 2.7" x 3.7"	Black Epoxy resin oval cup sink
VCS-07	6.3" x 6"	Black Epoxy resin round cup sink
VCS-18	13.6" x 4.4" x 5.8"	Black Epoxy resin rectangle cup sink



Model no.	Sizes (WxDxH)	Description
VES-03	12" x 8" x 5.8"	Black Epoxy resin drop in sink
VES-10	16" x 8" x 6.6"	Black Epoxy resin drop in sink
VES-24	18" x 15" x 7.9"	Black Epoxy resin drop in sink



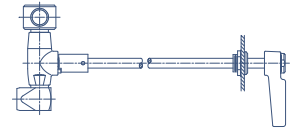
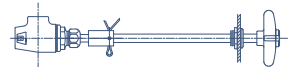
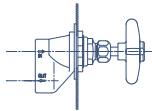
All fixtures are supplied with a white powder coated finish on the exterior valve and a color coded powder finish on the fume hood interior fitting:

<b>Water: Green</b>	<b>Gas: Blue</b>	<b>Nitrogen: Brown</b>
<b>Vacuum: Yellow</b>	<b>Air: Orange</b>	<b>Dist water: White</b>

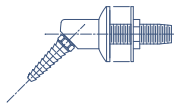
FRONT LOADED  
REMOTE CONTROLLED  
NEEDLE VALVE

ROD TYPE  
REMOTE CONTROLLED  
NEEDLE VALVE

ROD TYPE  
REMOTE CONTROLLED  
BALL VALVE FOR GAS



45° ANGLE  
OUTLET FITTING  
PANEL MOUNTED

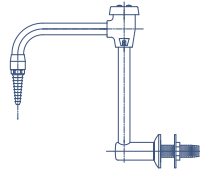


**L740N-LR**

**L3185N-LR**

**L4285-RB-LR (right hand)**  
**L4285-LB-LR (left hand)**

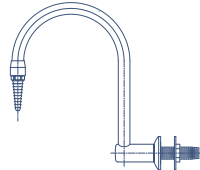
RIGID/SWING  
VACUUM BREAKER  
GOOSENECK WATER  
OUTLET FITTING  
PANEL MOUNTED



**L740W-9RSVB**

**L3185-9RSVB**

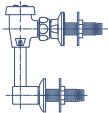
RIGID/SWING  
GOOSENECK WATER  
OUTLET FITTING  
PANEL MOUNTED



**L740W-9RS**

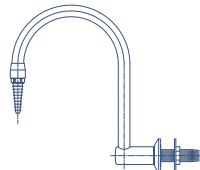
**L3185W-9RS**

POST MOUNTED  
ATMOSPHERIC  
VACUUM BREAKER



**L112 (to be used with  
L740W-9RS or L3185W-9RS)**

RIGID GOOSENECK  
DISTILLED WATER  
OUTLET FITTING  
PANEL MOUNTED



**L3185W-9RSTL**

UL CERTIFIED FLEXIBLE  
HOSE PREPIPING

**VFP-F**

**VFP-R**

**VFP-G**

3/8" COPPER PREPIPING

**VCP-F**

**VCP-R**

**VCP-G**

3/8" BLACK IRON  
PREPIPING FOR  
GAS ONLY

**VBP-G**



### LIGHT SWITCH - STANDARD

#### Model no. VEK-01

- ▶ White switch 15/20 Amps.
- ▶ White plastic cover plate



### ELECTRICAL RECEPTACLE

#### Model no. VEK-02

- ▶ White outlet 125 Volts - 15/20 Amps.
- ▶ Polarized 3 grounding wire type
- ▶ White plastic cover plate



### GFCI ELECTRICAL RECEPTACLE

#### Model no. VEK-03

- ▶ White outlet 125 Volts - 20 Amps.
- ▶ Polarized 3 grounding wire type
- ▶ White plastic cover



### GFCI ELECTRICAL RECEPTACLE ASSEMBLY

#### Model no. VEK-04

- ▶ White top GFCI outlet wired to
- ▶ White bottom 125 Volts - 20 Amps. outlet
- ▶ Polarized 3 grounding wire type
- ▶ White plastic cover plates



### ELECTRICAL RECEPTACLE

#### Model no. VEK-05

- ▶ White outlet 220 Volts - 30 Amps.
- ▶ Polarized 3 grounding wire type
- ▶ White plastic cover plate



### ELECTRICAL RECEPTACLE

#### Model no. VEK-06

- ▶ White outlet 250 Volts - 30 Amps.
- ▶ Polarized 3 grounding wire type
- ▶ White plastic cover plate



### FAN SWITCH - PILOT LIGHT

#### Model no. VEK-07

- ▶ 120 OR 240 Volts - 20 Amps.
- ▶ 1-Pole Square D 3 wires
- ▶ Aluminum cover plate
- ▶ NOT WIRED



### OPTIONAL DIGITAL FUME HOOD MONITOR

#### Model no. ROOSTER Sensor 100

- ▶ Air Velocity and temperature sensor with touch screen display using an instrumentation grade sensing element installed into the top hood collar.



### CUT OUT FOR VAV MONITOR

#### Model no. VCO-01

- ▶ Need to mention manufacturer model no. to be installed on the hood



### EXPLOSION PROOF SWITCH

#### Model no. VEK-08

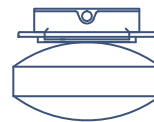
- ▶ 120 Volts - 20 Amps.



### EXPLOSION PROOF RECEPTACLE

#### Model no. VEK-09

- ▶ Single 125 Volts - 20 Amps.



### EXPLOSION PROOF LIGHT FIXTURE

#### Model no. VEX-01 for 48" hood: 1 x 36"

#### Model no. VEX-02 for 60" hood: 1 x 48"

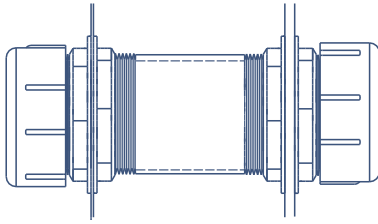
#### Model no. VEX-02 for 72" hood: 1 x 48"

#### Model no. VEX-03 for 96" hood: 2 x 36"

#### Model no. VEX-04 for 120" hood: 2 x 48"

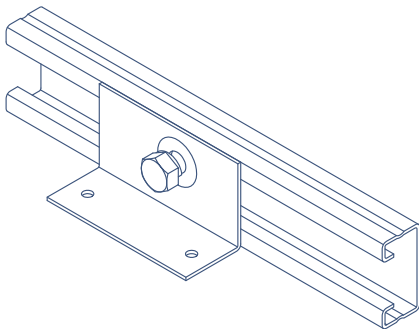
#### Model no. VEX-04 For 144" hood: 2 x 48"

- ▶ Polycarbonate Housing material
- ▶ Parabolic high emission reflector
- ▶ Complete light emission, 100% UV Stabilized (to reduce yellowing index)
- ▶ 120 Volts



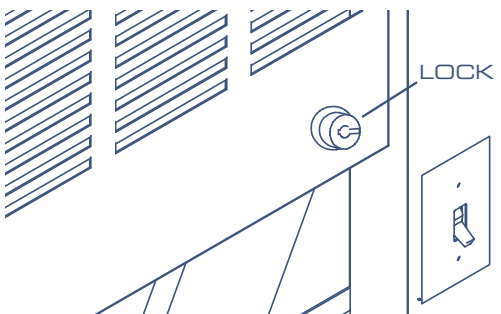
**SIDE WALL PASS-THRU GROMMET**

- ▶ 2" diameter – Model no. VGS-02
- ▶ 4" diameter – Model no. VGS-04
- ▶ Located at 7" from hood front and 2.75" from counter top



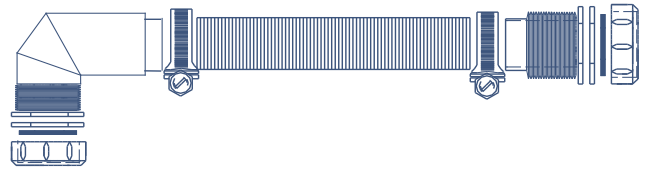
**FUME HOOD SEISMIC BRACE**

- ▶ Model no. VSB-48 for 48" hood
- ▶ Model no. VSB-60 for 60" hood
- ▶ Model no. VSB-72 for 72" hood
- ▶ Model no. VSB-96 for 96" hood
- ▶ Model no. VSB-120 for 120" hood
- ▶ Model no. VSB-144 for 144" hood



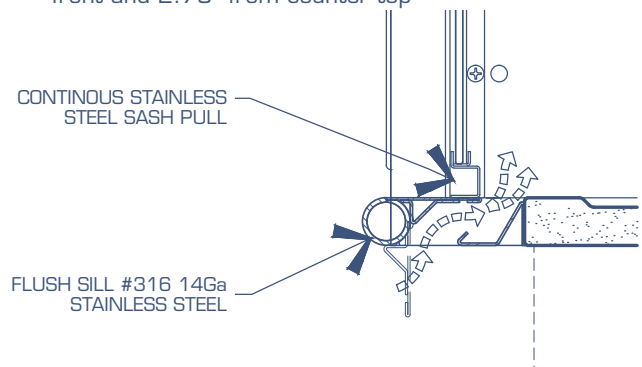
**OPTIONAL VERTICAL SASH LOCK FOR BENCH HOOD ONLY**

- ▶ A locking system to prevent hood utilisation when not required. Locking position possible when sash is fully down.
- ▶ Available on the following fume hood types: Regular, ADA, Radio-Isotope and Auxiliary hoods
- ▶ Model no. VVL-48 for 48" hood
- ▶ Model no. VVL-60 for 60" hood
- ▶ Model no. VVL-72 for 72" hood
- ▶ Model no. VVL-96 for 96" hood



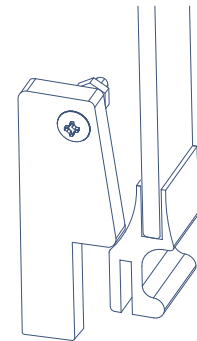
**FRONT POST MOUNTED PASS-THRU GROMMET**

- ▶ 2" diameter – Model no. VGF-02
- ▶ Inside location at 7" from hood front and 2.75" from counter top



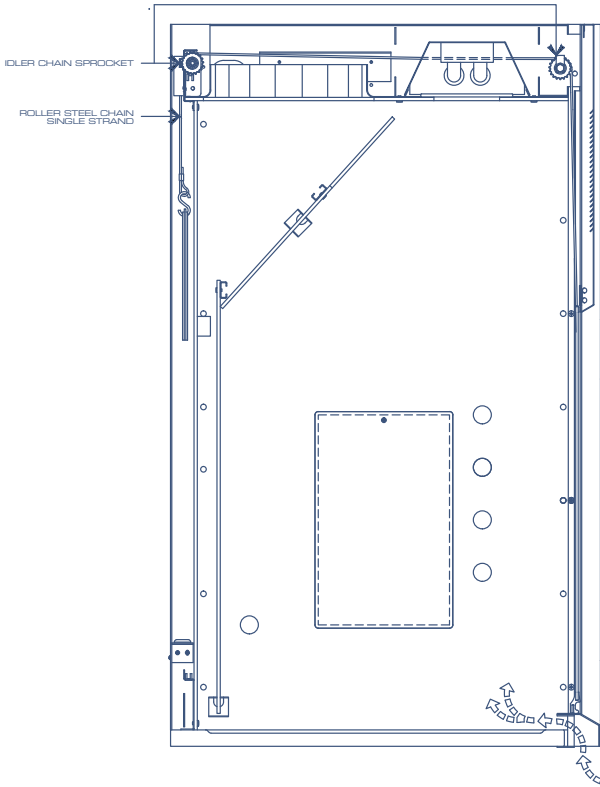
**FLUSH SILL OPTION**

- ▶ Standard on ADA hoods
- ▶ Available on the following fume hood types: Regular, High view, Californian, Radio-isotope and Auxiliary hoods.
- ▶ Model no. VFS-48 for 48" hood
- ▶ Model no. VFS-60 for 60" hood
- ▶ Model no. VFS-72 for 72" hood
- ▶ Model no. VFS-96 for 96" hood



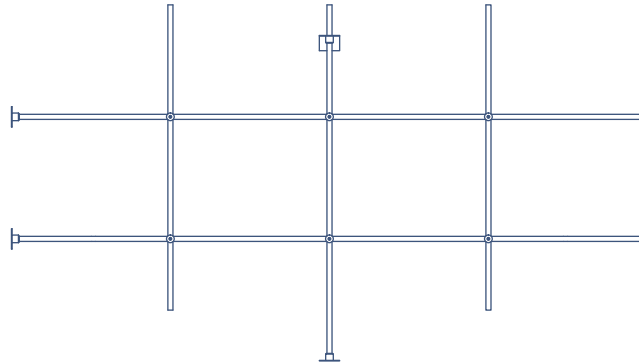
**GRAVITY SASH STOP Model no. VS-01**

- ▶ Designed to stop the sash at an 18" sash opening.
- ▶ Installed behind sash pull.
- ▶ Can be manually removed.



**OPTIONAL CHAIN & SPROCKET SASH SYSTEM**

- ▶ Available on the following fume hood types: Regular, ADA, High view, Californian, Radio-isotope and Auxiliary hoods.
- ▶ Please add the following model no. into the Fume Hood order sheet on page 43.
  - ▶ Model no. VCS-48 for 48" hood
  - ▶ Model no. VCS-60 for 60" hood
  - ▶ Model no. VCS-72 for 72" hood
  - ▶ Model no. VCS-96 for 96" hood



**Aluminum Distillation Rack assemblies for Bench Mounted Hoods**

Fume hood size	Model no.	Quantity of Vertical rods	Quantity of Horizontal rods
48"	VAB-48	2	2
60"	VAB-60	3	2
72"	VAB-72	4	2
96"	VAB-96	6	2

**Stainless steel Distillation Rack assemblies for Bench Mounted Hoods**

Fume hood size	Model no.	Quantity of Vertical rods	Quantity of Horizontal rods
48"	VSB-48	2	2
60"	VSB-60	3	2
72"	VSB-72	4	2
96"	VSB-96	6	2

**Aluminum Distillation Rack assemblies for Floor Mounted Hoods**

Fume hood size	Model no.	Quantity of Vertical rods	Quantity of Horizontal rods
48"	VAW-48	2	4
60"	VAW-60	3	4
72"	VAW-72	4	4
96"	VAW-96	6	4
120"	VAW-120	8	4
144"	VAW-144	10	4

**Stainless steel Distillation Rack assemblies for Floor Mounted Hoods**

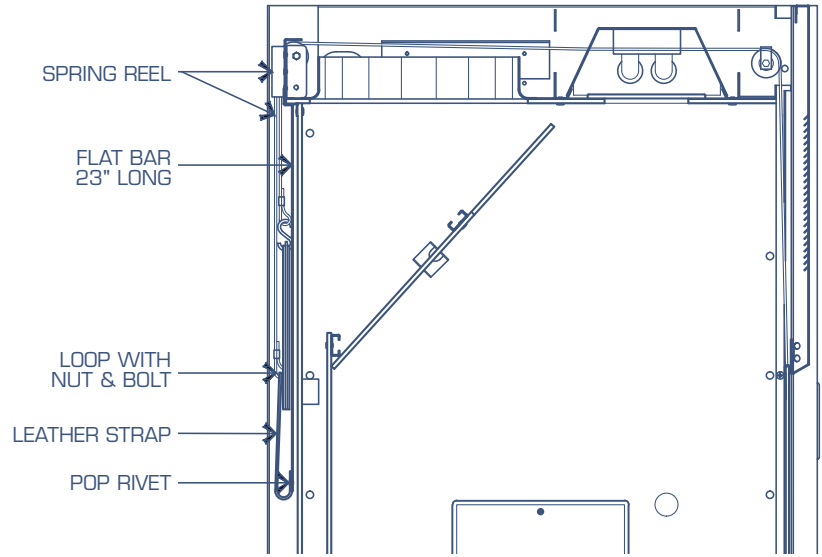
Fume hood size	Model no.	Quantity of Vertical rods	Quantity of Horizontal rods
48"	VSW-48	2	4
60"	VSW-60	3	4
72"	VSW-72	4	4
96"	VSW-96	6	4
120"	VSW-120	8	4
144"	VSW-144	10	4

**AUTOMATIC SASH CLOSER OPTION FOR VAV HOODS ONLY**

**Model no. VSC-01**

The Automatic sash closer option is a mechanical system that close the fume hood sash down to the established operating position when the sash is released from any higher open position.

Available option on all vertical sash fume hoods.



**SASHMATIC AUTOMATIC DETECTION SASH CLOSER OPTION FOR VAV HOODS ONLY**

**Model no. VSC-02**

**THE SASHMATIC** is a smart laboratory fume hood option to be used with a VAV system which permits additional energy saving, extra lab safety and ease of hood sash use. The integration of cutting edge technology such as motion detection and object detection can help achieve significant energy savings while providing maximum protection to the users.

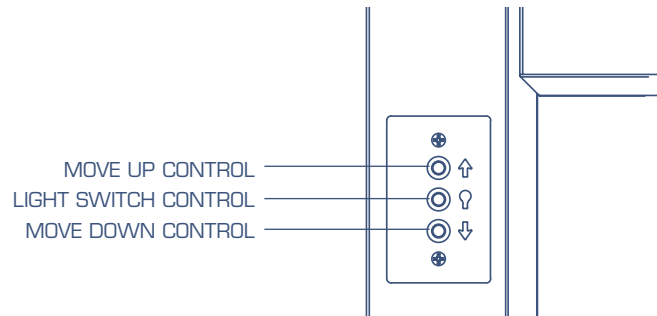
Motion presence detector is infinitely programmable upon user requirements and will close the sash down from any position.

Sash can be manually opened or closed at all time simply using the sash pull or the control panel buttons.

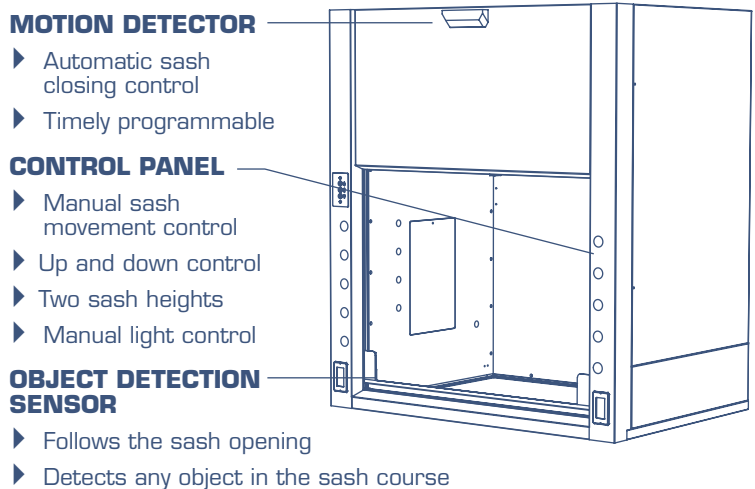
Equipped with an intuitive control panel, it offers the user the ease of controlling the door by choosing preset positions while providing the flexibility to move the door manually at any time.

The object detection sensor will stop the sash movement as soon as an object of any nature and size obstructs the sash course.

**FIGURE 1 : CONTROL PANEL**



**FIGURE 2 : SASHMATIC VIEW - DOOR CLOSED**

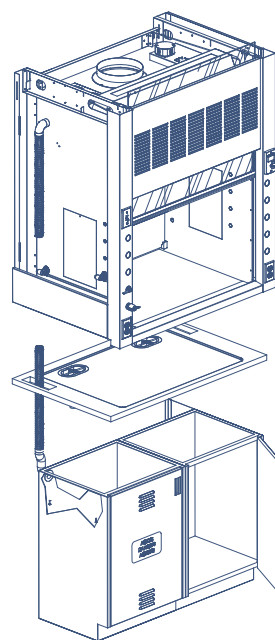


**CORROSIVE AND PUMP CABINET VENTILATION KIT**

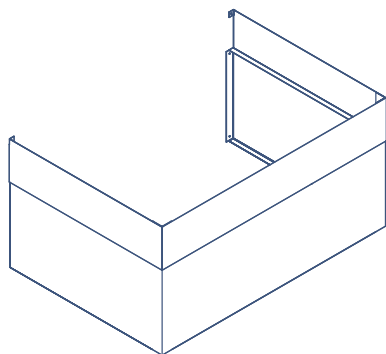
- ▶ Model no. VVK-01
- ▶ From cabinet back up to fume hood interior through hood wall.
- ▶ Grey high strength fiber reinforced PVC hose 2" bonded to coated spring steel wire helix.

**FLAMMABLE CABINET VENTILATION KIT**

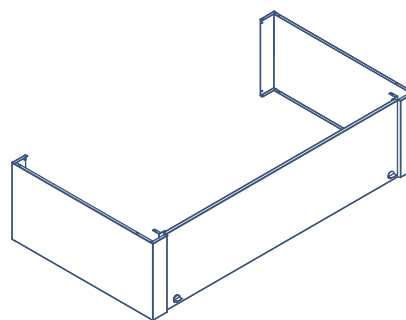
- ▶ Model no. VVK-02
- ▶ From cabinet back up to 48" over fume hood, done through hood wall for connection to the mechanical conduit (connection by others).
- ▶ Stainless steel flexible piping 2".

**VVK-01  
Vent kit**

**Fume hood ceiling enclosure options – need indication of enclosure type, hood size and configuration on page 41 Fume Hood Specification sheet.**

**ADJUSTABLE CEILING ENCLOSURE ASSEMBLY**

- ▶ Model no. VCP
- ▶ Full height adjustable panel assembly that covers the full space between fume hood top and finished ceiling – Removable front panel tight in with screws

**SELF SUPPORTED CEILING ENCLOSURE ASSEMBLY**

- ▶ Model no. VCC
- ▶ 17" fixed height panel assembly that covers the space between fume hood top and 1" below the 108" finished ceiling. Side panels are fixed to the fume hood with a front panel easily removable for maintenance (no screws)

Hood width	Hood depth	Ceiling height	Model No.
48"	32.75"	108"	VCP-48-30
48"	38.75"	108"	VCP-48-36
60"	32.75"	108"	VCP-60-30
60"	38.75"	108"	VCP-60-36
72"	32.75"	108"	VCP-72-30
72"	38.75"	108"	VCP-72-36
96"	32.75"	108"	VCP-96-30
96"	38.75"	108"	VCP-96-36
120"	32.75"	108"	VCP-120-30
120"	38.75"	108"	VCP-120-36
120"	48"	108"	VCP-120-48
144"	32.75"	108"	VCP-144-30
144"	38.75"	108"	VCP-144-36
144"	48"	108"	VCP-144-48

Hood width	Hood depth	Ceiling height	Model No.
48"	32.75"	108"	VCC-48-30
48"	38.75"	108"	VCC-48-36
60"	32.75"	108"	VCC-60-30
60"	38.75"	108"	VCC-60-36
72"	32.75"	108"	VCC-72-30
72"	38.75"	108"	VCC-72-36
96"	32.75"	108"	VCC-96-30
96"	38.75"	108"	VCC-96-36
120"	32.75"	108"	VCC-120-30
120"	38.75"	108"	VCC-120-36
120"	48"	108"	VCC-120-48
144"	32.75"	108"	VCC-144-30
144"	38.75"	108"	VCC-144-36
144"	48"	108"	VCC-144-48

CUSTOMER: \_\_\_\_\_ PROJECT NAME: \_\_\_\_\_

MODEL NO.: \_\_\_\_\_ QUANTITY REQUIRED: \_\_\_\_\_

**1 CEILING ENCLOSURE:**

CEILING HEIGHT: \_\_\_\_\_

**2 SEISMIC BRACE MODEL NO.:** \_\_\_\_\_

**3 REQUIRED SERVICES:**

1L \_\_\_\_\_

2L \_\_\_\_\_

3L \_\_\_\_\_

4L \_\_\_\_\_

5L \_\_\_\_\_

6L \_\_\_\_\_

7L \_\_\_\_\_

Sink \_\_\_\_\_

**5 BASE CABINETS:**

Left side: \_\_\_\_\_

Center: \_\_\_\_\_

Right side: \_\_\_\_\_

VCP                       Front                       Back

VCC                         Left                         Right

**4 COUNTER TOP:** \_\_\_\_\_

Left side: \_\_\_\_\_                       Left side end filler

Center: \_\_\_\_\_

Right side: \_\_\_\_\_                       Right side end filler

**3 REQUIRED SERVICES:**

\_\_\_\_\_ 1R

\_\_\_\_\_ 2R

\_\_\_\_\_ 3R

\_\_\_\_\_ 4R

\_\_\_\_\_ 5R

\_\_\_\_\_ 6R

\_\_\_\_\_ 7R

\_\_\_\_\_ Sink

**BASE CABINET VENTING KIT**

WK-01                       WK-02

WK-01                       WK-02

WK-01                       WK-02

**6 PLUMBING PRE-PIPING:**

No pre-piping (fixtures installed on hood only)

Pre-piped 6" over the hood top

Pre-piped 6" to the bottom

**MATERIAL :** In lieu of standard flexible UL piping

Copper

Black iron (Gas only)

Oxy clean

**7 SASH STOP:**

Gravity sash stop model no. VSS-01

**8 PASS-THROUGH GROMMET:**

	Left	Right
<input type="checkbox"/> Side wall pass-through grommet VGS-02 - 2" ø	<input type="checkbox"/>	<input type="checkbox"/>
<input type="checkbox"/> Side wall pass-through grommet VGS-04 - 4" ø	<input type="checkbox"/>	<input type="checkbox"/>
<input type="checkbox"/> Front pass-through grommet VGF-02 - 2" ø	<input type="checkbox"/>	<input type="checkbox"/>

**9 SASH CLOSING SYSTEM:**

Automatic sash closer no. VSC-01

Sashmatic automatic detection closer system no. VSC-02

**10 DISTILLATION RACK:**

Aluminum rack - Model no. \_\_\_\_\_

Stainless steel rack - Model no. \_\_\_\_\_

**11 FLUSH SASH SILL OPTION:**

In lieu of standard stainless steel foil sill

**12 VERTICAL SASH LOCK OPTION:**

To prevent hood utilization when not allowed

**13 CHAIN & SPROCKET SASH SYSTEM OPTION:**

In lieu of standard stainless steel cable system

Model no. \_\_\_\_\_

Listed by Intertek to UL 1805 standard

VANGUARD FUME HOODS



**BEDCOLAB LTD**

**2305, Francis-Hugues Avenue  
Laval, Quebec, Canada H7S 1N5**

**Phone: 514.384.2820 / 1.800.461.6414**

**Fax: 514.384.9210**

**E-mail: [information@bedcolab.com](mailto:information@bedcolab.com)**

**Web Site: [www.bedcolab.com](http://www.bedcolab.com)**



**Authorized dealer:**